



TYPICAL

TW1-999

TW1-999-D2T3

High Speed Compound Feed And Walking Foot
Lockstitch Sewing Machine

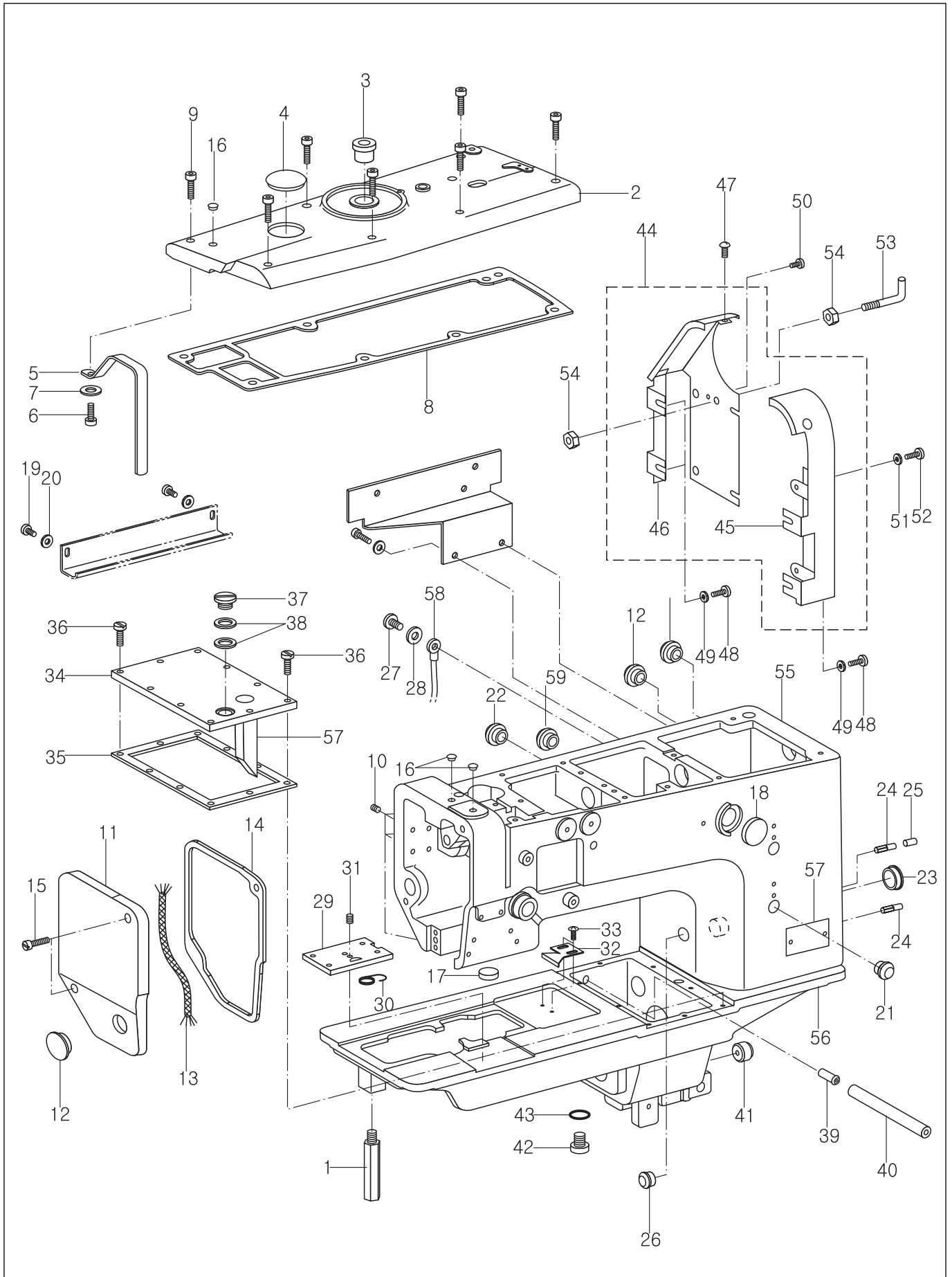
Parts Manual

CONTENTS

Parts Manual

1. Machine body	1-2
2. Upper shaft mechanism	3-4
3. Upper feed mechanism	5
4. Quick reverse mechanism	6
5. Needle bar and thread take-up mechanism	7-8
6. Presser bar mechanism	9-10
7. Feed mechanism	11-12
8. Presser foot lifter mechanism	13-14
9. Alternating presser foot lifter mechanism	15
10. Quick reverse mechanism	16
11. Upper feed mechanism	17-18
12. Feed shaft mechanism	19-20
13. Needle plate, presser foot	21
14. Rotary hook shaft timing mechanism	22-23
15. Lower shaft mechanism	24-25
16. Lubrication mechanism	26-27
17. Bobbin winder mechanism	28-29
18. Tension release mechanism	30
19. Thread trimmer mechanism	31-32
20. Thread tension mechanism	33-34
21. Manual switch mechanism	35
22. Air presser mechanism	36
23. Presser foot actuator mechanism	37
24. Accessories	38-39

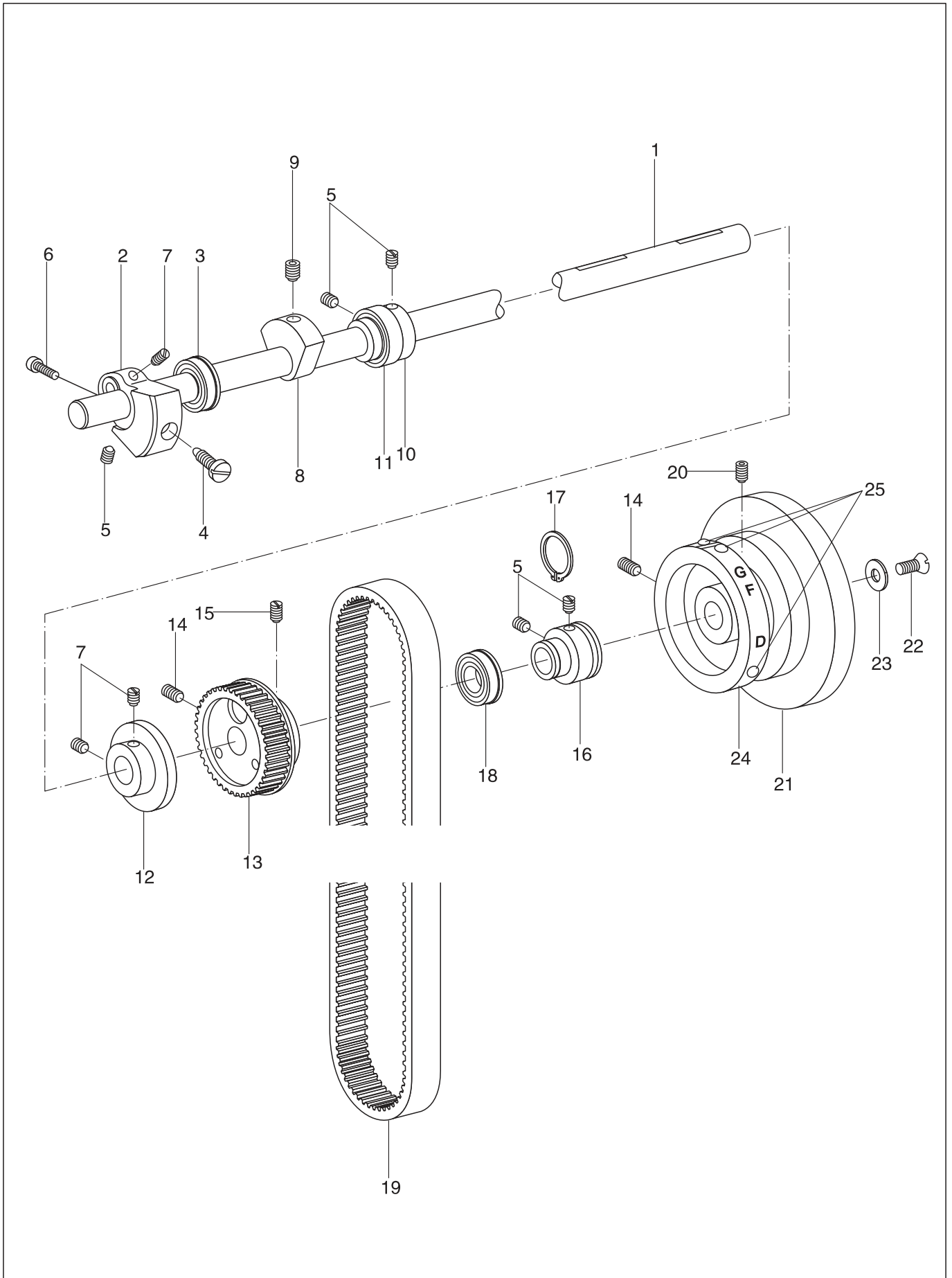
1. Machine body



1. Machine body

NO.	PARTS NO.	PARTS NAME	QTY		REMARK
			999	999-D2T3	
1	93WF1-021	Support bar	1	1	
2	93WF1-022	Top cover	1	1	
3	93WF1-001	Dial bushing	1	1	
4	93WF1-002	Rubber cap, 32.8	1	1	
5	93WF1-023	Thread take-up lever cover	1	1	
6	93WF1-024	Bolt	1	1	
7		Washer	1	1	GB/T 97.1 4
8	93WF1-003	Sheet packing	1	1	
9	93WF1-026	Bolt	7	7	
10	93WF1-027	Set screw	4	4	
11	93WF1-028	Face plate	1	1	
12	93WF1-004	Rubber cap, 20.5	2	2	130mm
13		Oil wick	1	1	
14	93WF1-005	Packing	1	1	
15	93WF1-029	Bolt	2	2	
16	93WF1-006	Rubber cap, 9.5	3	3	
17	93WF1-007	Rubber cap	1	1	
18	93WF1-008	Oil window	1	1	
19	13WF1-008	Screw	/	2	SM9/64"×40
20	93WF1-009	Washer	/	2	
21	93WF1-049	Rubber cap	1	/	
22	93WF1-048	Rubber cap	1	/	
23	93WF1-010	Bushing	2	2	
24	2KT3-006	Pin	2	2	140063-0
25	2KT3-007	Nylon tube	1	1	153132-0
26	93WF1-11	Rubber cap, 10.5	1	1	
27		Screw	/	1	GB/T 818 M4×6
28		Wahser	/	1	GB/T 97.1 4
29	93WF1-032	Slide plate	1	1	
30	93WF1-012	Spring	1	1	
31		Set screw	1	1	GB/T 77 M4×5
32	93WF1-013	Stopper	1	1	
33	1WF1-026	Screw	2	2	SM9/64"×40
34	93WF1-034	Upper cover assy	1	1	
35	93WF1-014	Sheet packing	1	1	
36	93WF1-024	Bolt	10	10	
37	93WF1-015	Screw	1	1	
38	93WF1-016	Packing	2	2	
39	93WF1-017	Pipe	1	1	
40		Tube	1	1	L=120mm
41	93WF1-018	Oil cap	1	1	
42	93WF1-019	Screw	1	1	
43		O-ring	1	1	6.9×1.8A GB 3452.1
44		Belt cover set	1	1	
45	93WF1-037	Belt cover, L	1	1	
46	93WF1-038	Belt cover, R	1	1	
47	93WF1-058	Screw	1	1	
48		Bolt	4	4	GB/T 70.1 M6×10
49		Washer	4	4	GB/T 97.1 6
50		Screw	1	1	GB/T 65 M4×5
51	93WF1-059	Screw	2	2	
52	93WF1-020	Holder bar	/	1	
53		Nut	/	2	GB/T 6172 M6
54	93WF1-046	Machine boy	1	1	
55	351WF1-002	Machine bed	1	1	
56	93WF1-050	Oil gauge	1	1	
57	351WF1-004	Model label	1	1	
58	117WF1-006	Ground wire	/	1	
59	93WF1-048	Rubber plug	1	/	

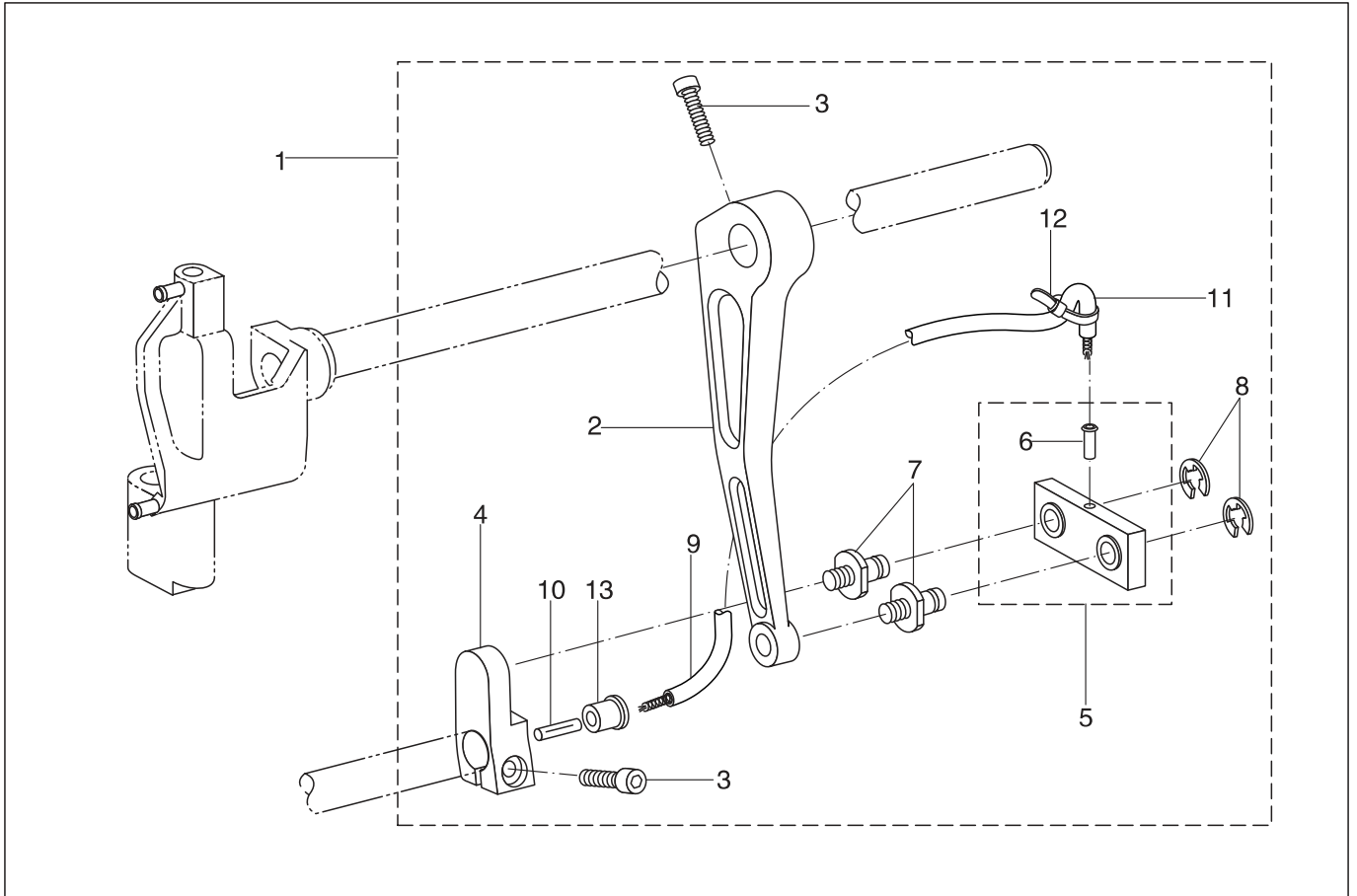
2.Upper shaft medchanism



2.Upper shaft mechanism

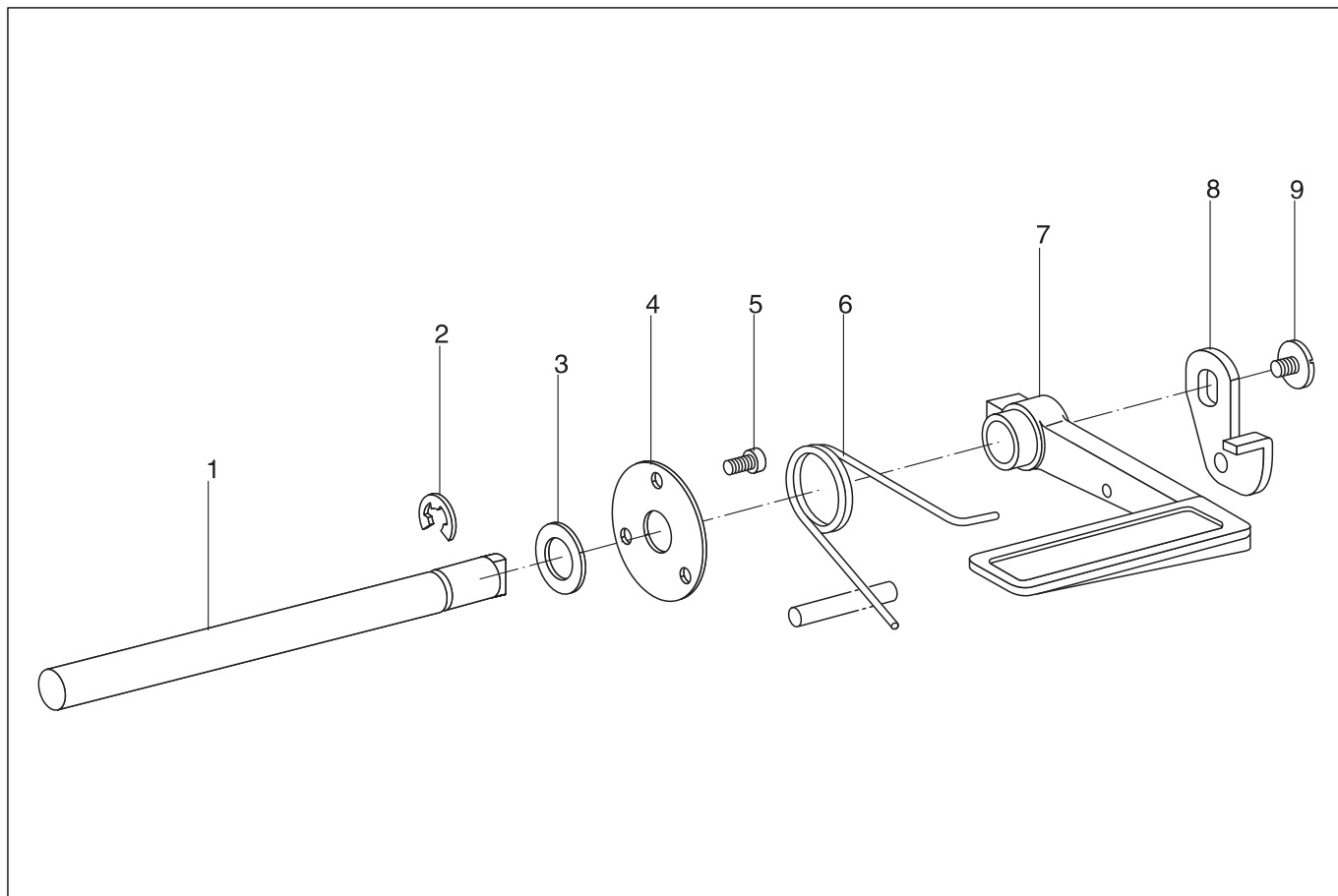
NO.	PARTS NO.	PARTS NAME	QTY		REMARK
			999	999-D2T3	
1	93WF2-004	Upper shaft	1	1	6204-2ZNR 20×47×14
2	93WF2-005	Crank motion cam	1	1	
3		Bearing, upper shaft	1	1	
4	93WF2-001	Screw	1	1	
5	93WF1-027	Set screw	5	5	
6	93WF1-026	Bolt	2	2	GB/T 80 M8×12
7	93WF2-008	Set screw	3	3	
8	93WF2-009	Balancer	1	1	
9		Set screw	1	1	
10	93WF2-011	Collar, middle upper shaft	1	1	62/22-2Z 22×50×14
11		Bearing	1	1	
12	93WF2-013	Collar, bobbin winder	1	1	
13	93WF2-002	Upper belt pulley	1	1	
14	93WF2-014	Set screw	2	2	
15	93WF2-015	Set screw	1	1	GB 894. 2 20 6034-2ZNR 20×52×15
16	93WF2-016	Collar, back upper shaft	1	1	
17		Retaining ring	1	1	
18		Bearing	1	1	
19	93WF2-003	Timing belt	1	1	
20	93WF2-014	Set screw	1	1	
21	93WF2-020	Machine pulley	1	1	
22	13WF1-051	Screw	1	1	
23	13WF1-050	Washer	1	1	
24	93WF2-021	Rotation gauge	1	1	
25	661118	Rivet	3	3	

3.Upper feed mechanism



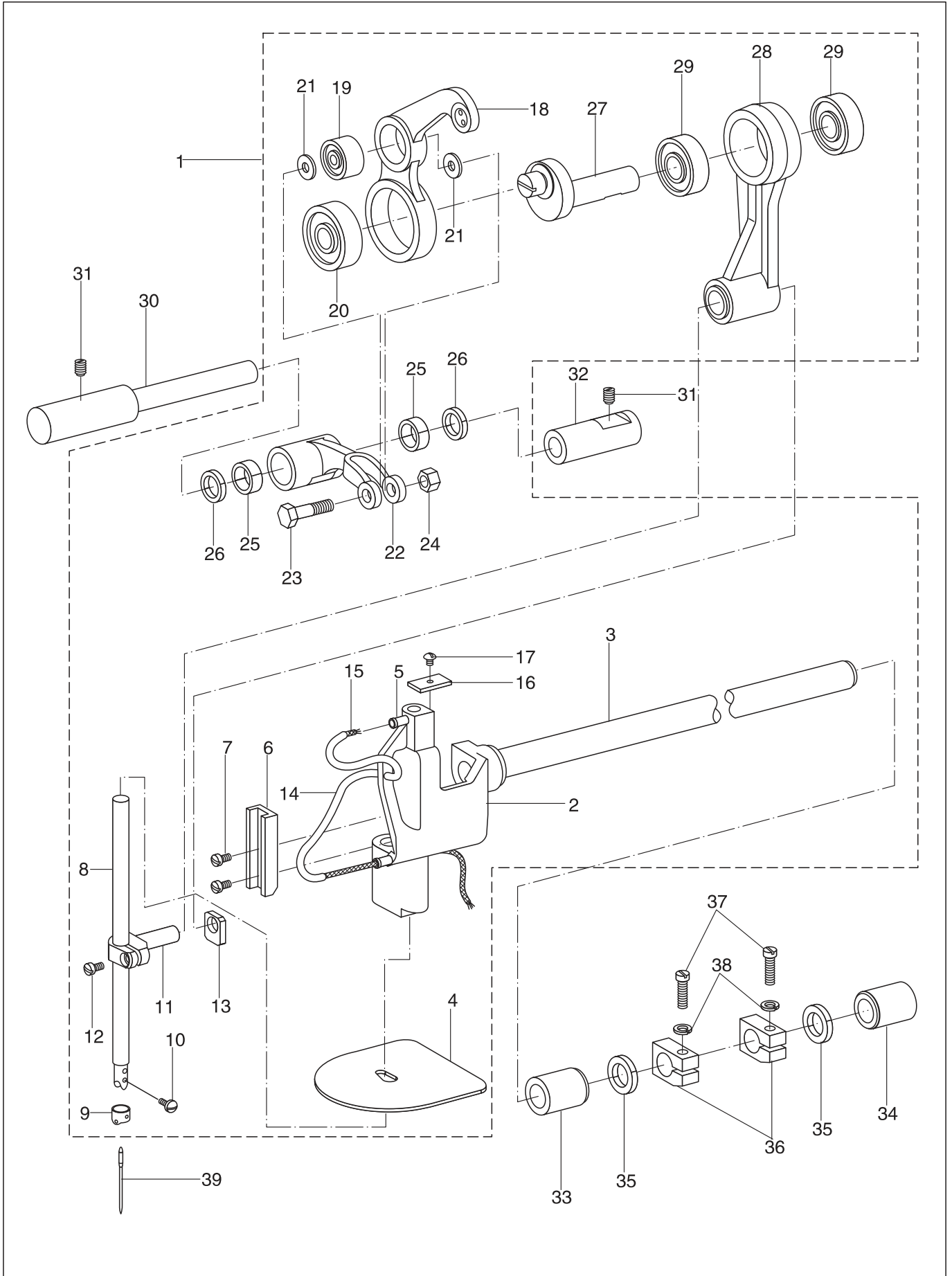
NO.	PARTS NO.	PARTS NAME	QTY	REMARK
			999-D2T3	
1	93WF3-003	Upper feed connecting rod assy	1	
2	93WF3-004	Upper feed connecting rod	1	
3	93WF3-005	Bolt	2	
4	93WF3-006	Connecting lever	1	
5	93WF3-007	Upper feed connection assy	1	
6	93WF3-001	Pipe	1	
7	93WF3-002	Shoulder screw	2	
8		Retaining ring	2	GB 896 8
9		Tube	1	250mm
10		Felt	1	3×8
11		Oil wick	1	170mm
12	258753	Fastening band	1	
13	93WF3-010	Rubber cap	1	

4.Quick reverse mechanism



NO.	PARTS NO.	PARTS NAME	QTY		REMARK
			999	999-D2T3	
1	93WF4-003	Shaft, Reverse stitching lever	1	1	
2	93WF4-004	Retaining ring	1	1	
3	93WF4-001	Washer	1	1	
4	93WF4-002	Spacer	1	1	
5		Bolt	3	3	GB/T 70.1 M4×6
6	21WF3-043	Spring	1	1	
7	62WF2-003	Reverse stitching lever	1	1	
8	62WF5-024E	Reverse stitching lever plate	1	1	
9	2KT3-005	Screw	1	1	100511-003

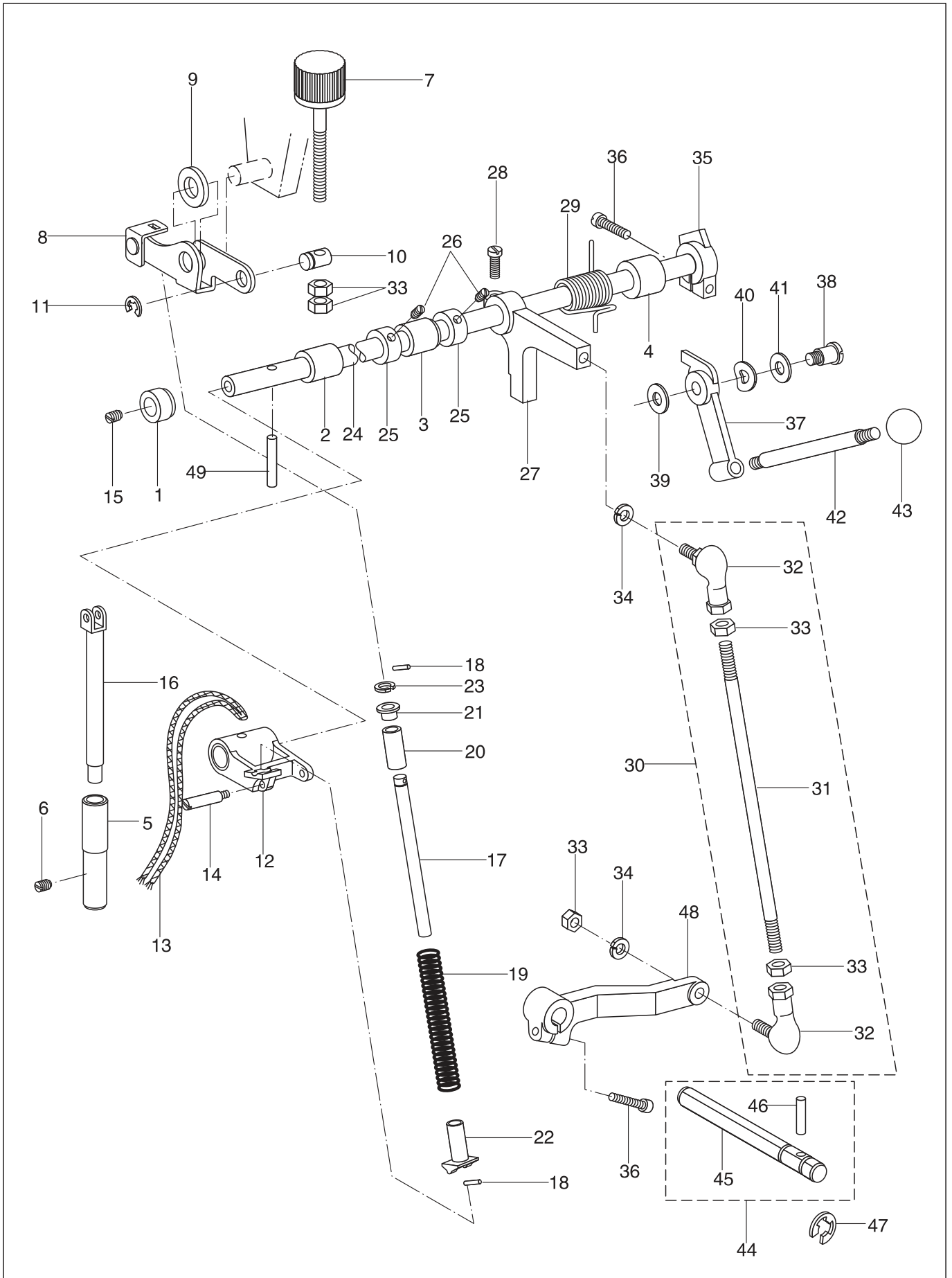
5. Needle bar and thread take-up mechanism



5. Needle bar and thread take-up mechanism

NO.	PARTS NO.	PARTS NAME	QTY		REMARK
			999	999-D2T3	
1		Needle bar bracket assy	1	1	
2	93WF5-010	Needle bar bracket	1	1	
3	93WF5-011	Needle bar bracket shaft	1	1	
4	93WF5-001	Rubber sheet	1	1	
5	93WF3-001	Pin	2	2	
6	93WF5-012	Guide rail	1	1	
7	491115	Screw	2	2	
8	93WF5-014	Needle bar	1	1	
9	93WF5-002	Thread guide, N-bar	1	1	
10	17WF2-037	Set screw	1	1	
11	93WF5-015	Needle bar clamp	1	1	
12	13WF3-018	Screw	1	1	
13	93WF5-016	Slide block, N-bar clamp	1	1	
14		Oil tube	1	1	110mm
15		Oil wick	1	1	700mm
16	93WF5-003	Sponge	1	1	
17		Screw	1	1	GB/T 65 M4×6
18	351WF-001	Thread take-up lever complete	1	1	
19		Bearing, S, T-take-up	1	1	80024 4×13×5
20		Bearing, L, T-take-up	1	1	80018 8×22×7
21		Washer, T-take-up	2	2	GB/97. 1 4
22	93WF5-022	Thread take-up support	1	1	
23	93WF5-023	Support screw	1	1	
24		Nut	1	1	GB/T 6170 M4
25		Needle roller bearing	2	2	29241/7 7×10×8
26	93WF5-004	Support ring	2	2	
27	93WF5-026	Crank	1	1	
28	93WF5-027	Needle bar crank rod assy	1	1	
29		Bearing	2	2	698-2Z 8×19×6
30	93WF5-029	Pin, T-take-up	1	1	
31	93WF5-030	Set screw	2	2	
32	93WF5-005	Bushing, T-take-up pin	1	1	
33	93WF5-006	Bushing	1	1	
34	93WF5-007	Bushing	1	1	
35	93WF5-008	Ring	2	2	
36	93WF5-031	Collar	2	2	
37	93WF1-029	Bolt	2	2	
38		Washer, spring	2	2	GB 859 5
39		Needle	1	1	DP×17 22#

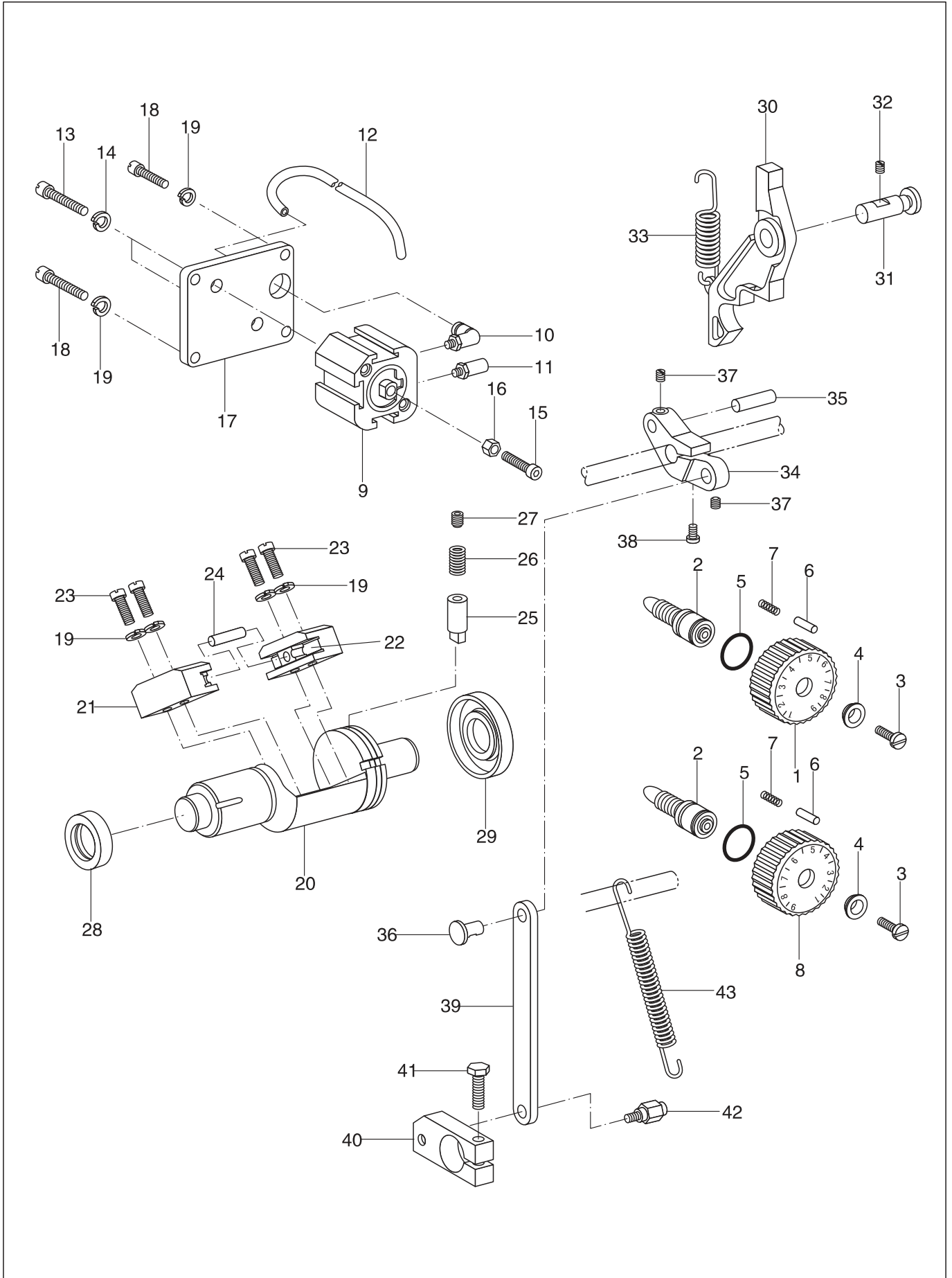
6.Presser bar mechanism



6.Presser bar mechanism

NO.	PARTS NO.	PARTS NAME	QTY		REMARK
			999	999-D2T3	
1	93WF6-001	Bushing A, P-foot lifter shaft	1	1	
2	93WF6-002	Bushing B	1	1	
3	93WF6-003	Bushing C, P-foot lifter shaft	1	1	
4	93WF6-004	Bushing D	1	1	
5	93WF6-021	Bushing, P-bar	1	1	
6	93WF6-030	Set screw	1	1	
7	93WF6-005	Presser adjusting dial	1	1	
8	93WF6-022	Presser adjusting plate assy	1	1	
9	93WF6-006	Felt	1	1	
10	93WF6-023	Pin	1	1	
11	93WF6-007	Retaining ring	1	1	
12	93WF6-024	P-foot lifter connection assy	1	1	
13		Oil wick	1	1	400mm
14	93WF6-025	Pin	1	1	
15	93WF2-015	Set screw	1	1	
16	93WF6-026	Presser bar	1	1	
17	93WF6-027	Shaft, presser bar spring	1	1	
18		Pin, spring	2	2	GB/T 879.1 3×8
19	93WF6-008	Presser spring	1	1	
20	93WF6-009	Collar	1	1	
21	93WF6-029	Spring support, U	1	1	
22	93WF6-028	Spring support, D	1	1	
23	35WF4-005	Retaining ring	1	1	
24	93WF6-032	Presser bar lifter shaft	1	1	
25	93WF6-010	Set screw collar	2	2	
26	93WF2-008	Set screw	2	2	
27	93WF6-034	Knee lifter arm, U	1	1	
28	93WF6-035	Bolt	1	1	
29	93WF6-036	Spring	1	1	
30		K-lifter connecting bar assy			
31	93WF6-038	Knee lifter connecting bar	1	1	
32	93WF6-011A	Link ball	2	2	
33		Nut	5	5	GB/T 6172 M6
34		Retaining ring	2	2	GB 859 6
35	93WF6-041	Presser bar lifter cam, U	1	1	
36	93WF6-042	Bolt	2	2	
37	93WF6-043	Presser bar lifter cam, D	1	1	
38	93WF6-013	Shoulder screw	1	1	
39	93WF6-014	Washer	1	1	
40	93WF6-044	Washer	1	1	
41	93WF6-015	Washer	1	1	
42	93WF6-016	Presser lifter bar	1	1	
43	93WF6-017	Lever grip	1	1	
44	93WF6-045	Knee lifter shaft assy	1	1	
45	93WF6-046	Knee lifter shaft	1	1	
46	93WF6-018	Needle roller	1	1	
47	93WF6-019	Retaining ring	1	1	
48	93WF6-047	Knee lifter arm	1	1	
49	93WF6-020	Bolt	1	1	

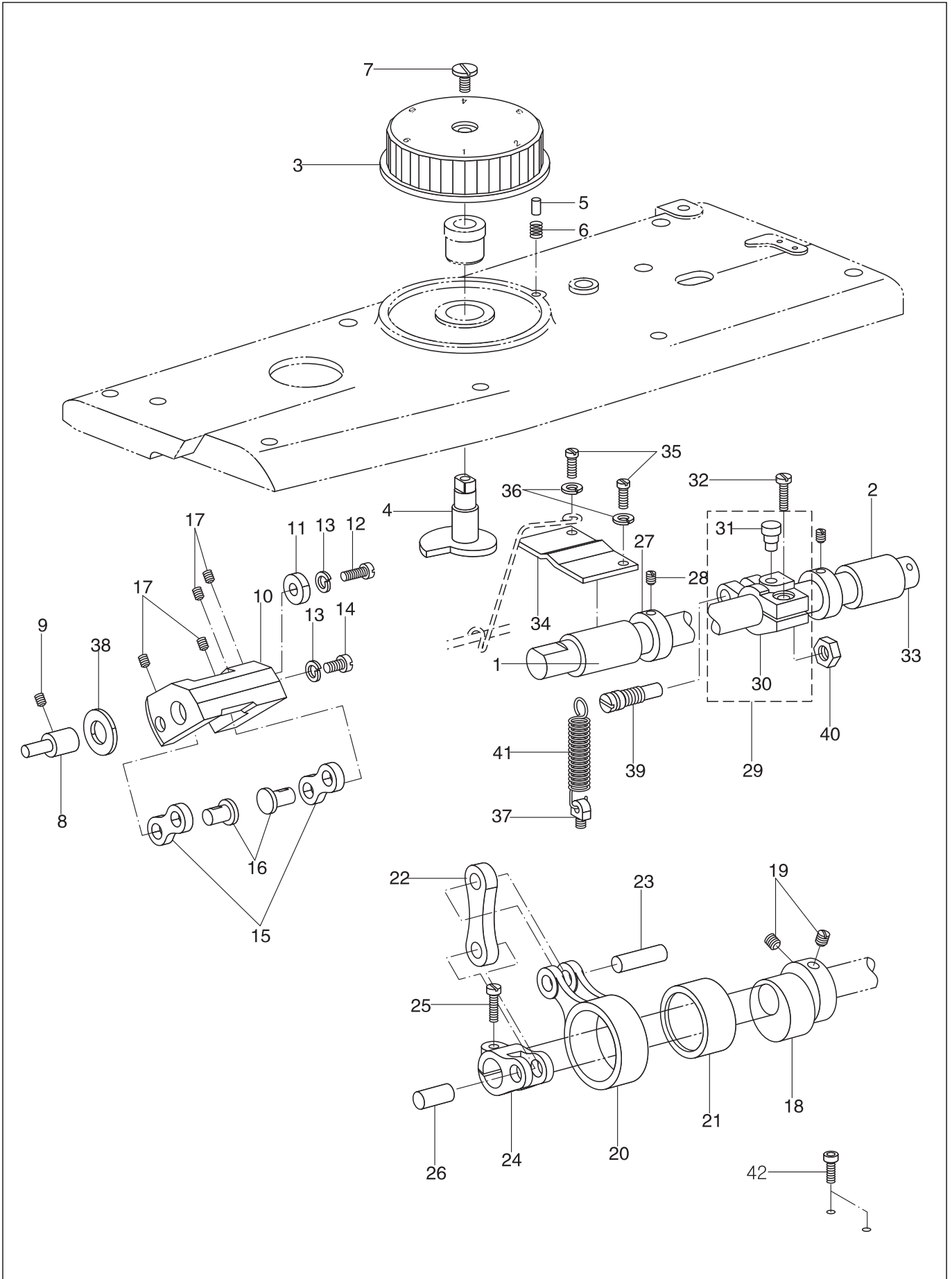
7.Feed mechanism



7.Feed mechanism

NO.	PARTS NO.	PARTS NAME	QTY		REMARK
			999	999-D2T3	
1	93WF7-001	Feed adjusting dial, U	1	1	
2	93WF7-005	Adjusting screw	1	2	
3	93WF7-002	Screw	1	2	
4	36T5-007D4	Support plate	1	2	
5	124T5-00A3	O ring	1	2	
6	93WF7-006	Positioning pin	1	2	
7	21WF3-046	spring compression	1	2	
8	93WF7-003	feed adjusting dial,D	/	1	
9	93WF7-007	Cylinder	/	1	SDA25×10 SU045
10	93WF7-008	Joint	/	1	PL4-M5
11	93WF7-009	Silencer	/	1	BSLM-M5
12		Tube	/	1	L=1000
13	93WF7-010	Bolt	/	2	
14		Washer	/	2	GB 955 6
15	93WF3-005	Bolt	/	1	
16		Nut	/	1	GB/T6172 M6
17	93WF7-013	Setting plate	/	1	
18	93WF7-014	Bolt	/	4	
19		Washer	/	8	GB 859 5
20	93WF7-015	Back cylinder	1	1	
21	93WF7-016	Guide rail	2	2	
22	93WF7-017	guide rail	2	2	
23	93WF1-029	bolt	4	4	
24	93WF7-018	Needle roller	1	1	
25	93WF7-019	Cylinderguide pin	1	1	
26	93WF7-020	spring	1	1	
27		Set screw	1	1	GB/T 77 M10×10
28	93WF7-022	Oil seal, front	1	1	20×30×7
29	93WF7-023	Oil seal, back	1	1	20×47×7
30	93WF7-024	Feed adjustment arm	1	1	
31	93WF7-025	Pin	1	1	
32	93WF1-027	Set screw	1	1	
33	93WF7-026	Spring	1	1	
34	93WF7-027	Feed adjusting lever	1	1	
35	93WF7-004	Needle roller	1	1	
36	93WF7-028	Link pin	1	1	
37	93WF7-029	Set screw	2	2	
38		Screw	1	1	GB/T 65 M5×25
39	93WF7-031	Feed adjusting connection rod	1	1	
40	93WF7-032	Connecting block	1	1	
41	93WF7-033	Bolt	1	1	
42	93WF7-034	Pin screw	1	1	
43	93WF7-035	Spring	1	1	

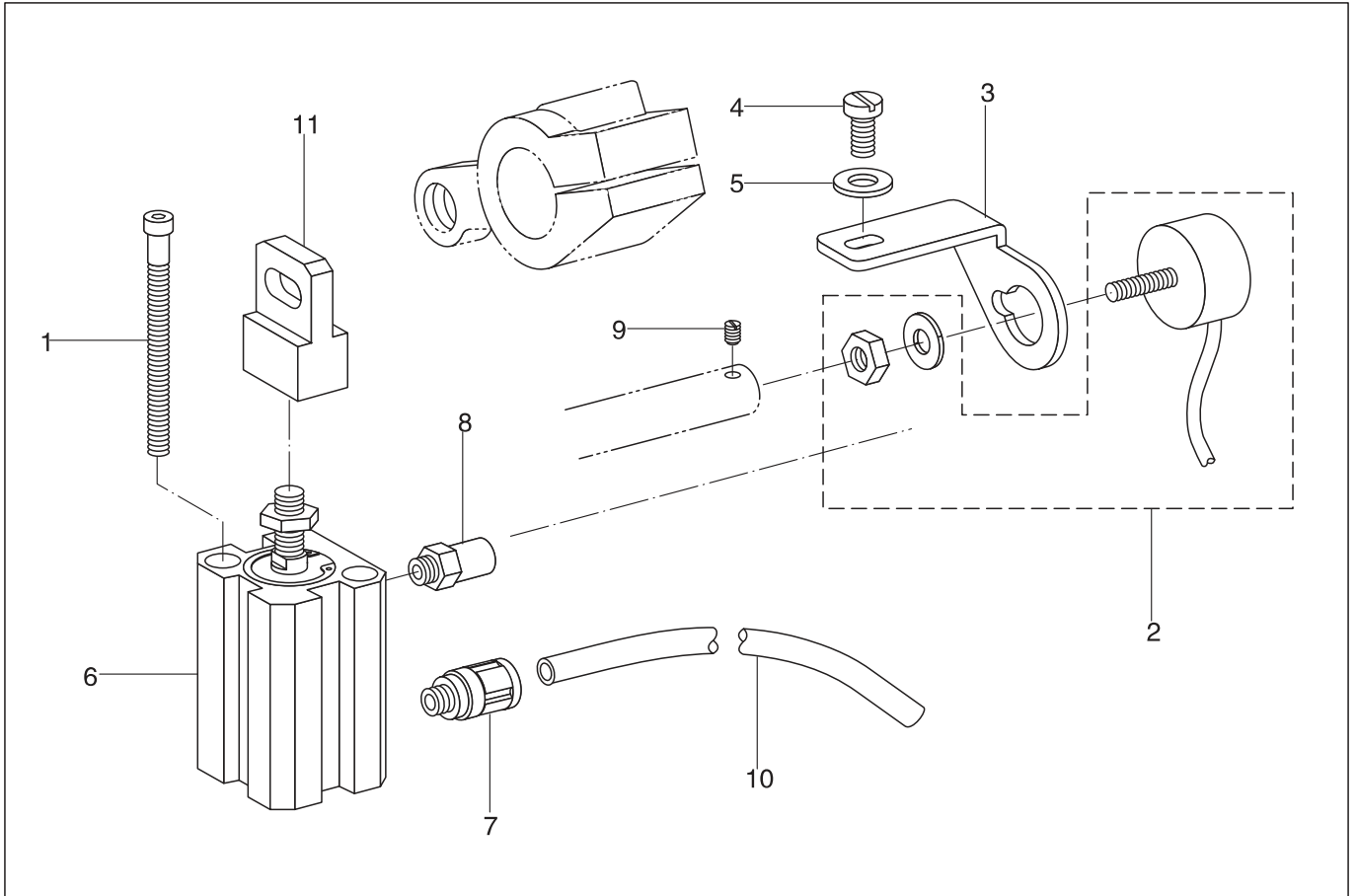
8.Presser foot lifter mechanism



8.Presser foot lifter mechanism

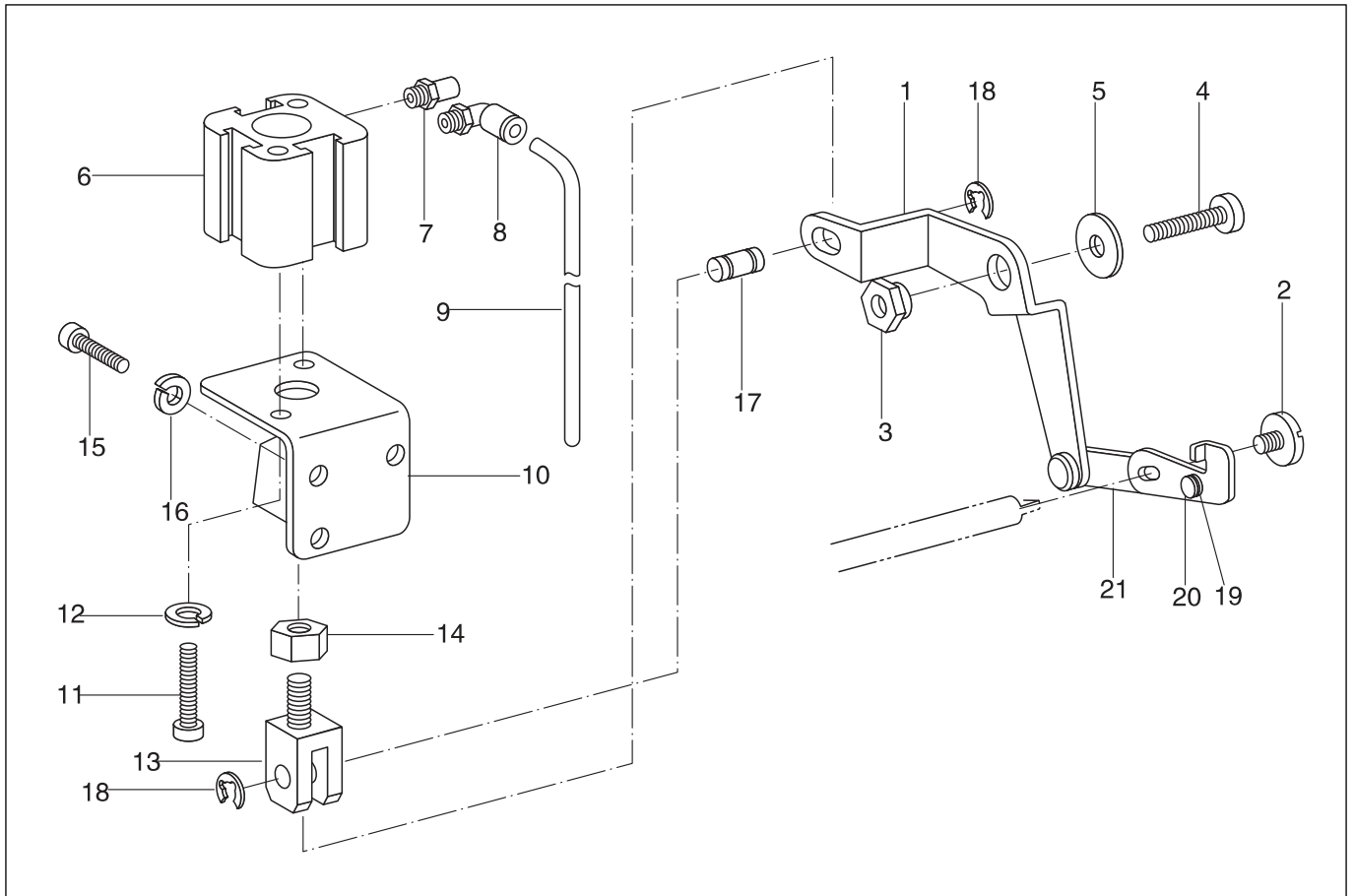
NO.	PARTS NO.	PARTS NAME	QTY		REMARK
			999	999-D2T3	
1	93WF8-005	Bushing adjusting shaft	1	1	
2	93WF5-007	Bushing	1	1	
3	93WF8-001	Dial	1	1	
4	93WF8-006	Dial cam	1	1	
5	93WF8-007	Dial pin	1	1	
6	93WF8-002	Spring	1	1	
7	302395	Set screw	1	1	
8	93WF8-009	Support pin	1	1	
9	93WF5-030	Set screw	1	1	
10	93WF8-010	Adjusting bracket	1	1	
11	93WF8-011	Adjusting bracket collar	1	1	
12	93WF1-026	Bolt	1	1	
13		Washer, spring	2	2	GB 859 5
14	93WF8-037	bolt	1	1	
15	93WF8-013	Link assy	2	2	
16	93WF7-028	Link pin	2	2	
17	93WF8-015	Set screw	4	4	
18	93WF8-016	Inner presser cam	1	1	
19	93WF1-027	Set screw	2	2	
20	93WF8-017	Inner presser rod	1	1	
21	93WF8-018	Needle bearing	1	1	HK3016 30×37×16
22	93WF8-019	Link	1	1	
23	93WF8-020	Rod pin	1	1	
24	93WF8-021	Connecting lever	1	1	
25	93WF6-042	Bolt	1	1	
26	93WF8-022	Pin	1	1	
27	93WF8-023	collar	2	2	
28	93WF7-029	Set screw	2	2	GB/T 80 M5×5
29	93WF8-025	Connecting lever assy	1	1	
30	93WF8-025A	Connecting lever	1	1	
31	93WF8-025B	Pin	1	1	
32	93WF3-005	Bolt	1	1	
33	93WF8-029	Adjusting shaft	1	1	
34	93WF8-030	Support plate	1	1	
35	93WF8-031	Bolt	2	2	
36		Washer	2	2	GB 859 4
37	93WF8-003	Support screw	1	1	
38	93WF8-004	Felt	1	1	
39	93WF8-033	Spring hook	1	1	
40		Nut	1	1	GB/T 6172 M8
41	117WF8-001	Spring	1	1	
42	93WF8-036	Screw	2	/	

9. Alternating presser foot lifter mechanism



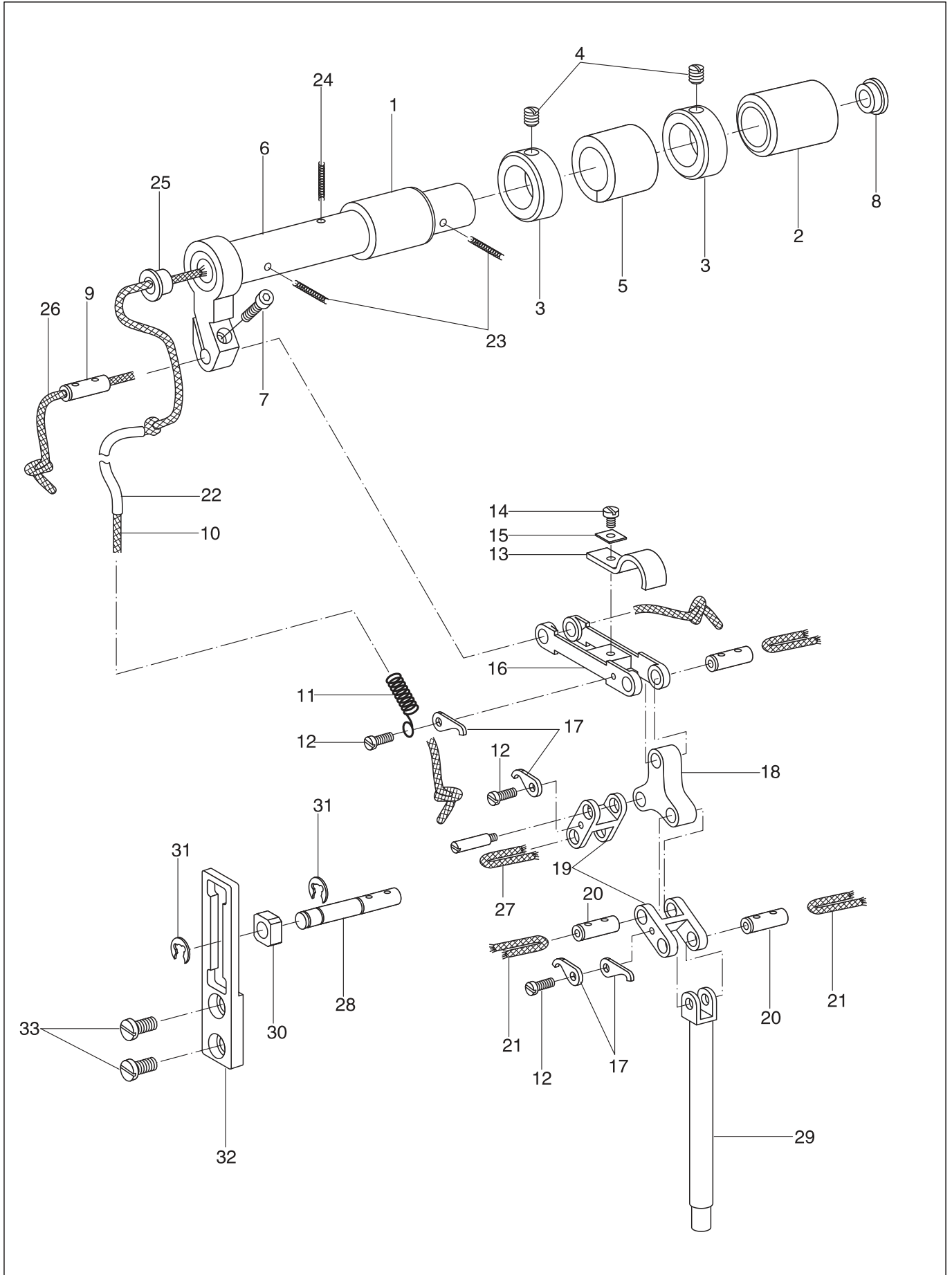
NO.	PARTS NO.	PARTS NAME	QTY	REMARK
			999-D2T3	
1	93WF9-002	Bolt	1	
2	93WF9-003	Potentiometer assy	1	
3	93WF9-001	Setting plate	1	
4		Bolt	1	GB/T 70.1 M4×6
5		Washer	1	GB/T 97.1 4
6	93WF9-004	Cylinder	1	SDA16×25
7	93WF9-005	Joint	1	ALP4-M5
8	93WF7-009	Silencer	2	BSL-M5
9		Set screw	1	GB/T 70.1 M3×45
10		Air tube	1	1000mm
11	93WF9-007	Knuckle	1	

10.Quick reverse mechanism



NO.	PARTS NO.	PARTS NAME	QTY	REMARK
			999-D2T3	
1	93WF10-003	Cylinder connection assy	1	
2	2KT3-005	Screw	1	
3	62WF5-025	Stud	1	
4	21WF2-048	Screw	1	
5	62WF5-026	Washer	1	
6	93WF10-004	Cylinder	1	SDA25×15 SU046
7	93WF7-009	Silencer	1	
8	93WF7-008	Joint	1	
9		Air tube, 4mm	1	L=840
10	93WF10-001	Setting plate	1	
11	93WF10-006	Bolt	2	
12		Washer, spring	2	GB 93. 6
13	93WF10-008	Knuckle	1	
14		Nut	1	GB/T6172 M6
15	93WF7-014	Bolt	3	
16		Washer ,spring	3	GB/T 859 5
17	93WF10-002	Coupling pin	1	
18		Retaining ring	2	GB/T 896 4
19	62WF5-024D	Nylon washer	2	
20	62WF5-024C	Pin	2	
21	62WF5-024B	Link rod reverse stitching lever	1	

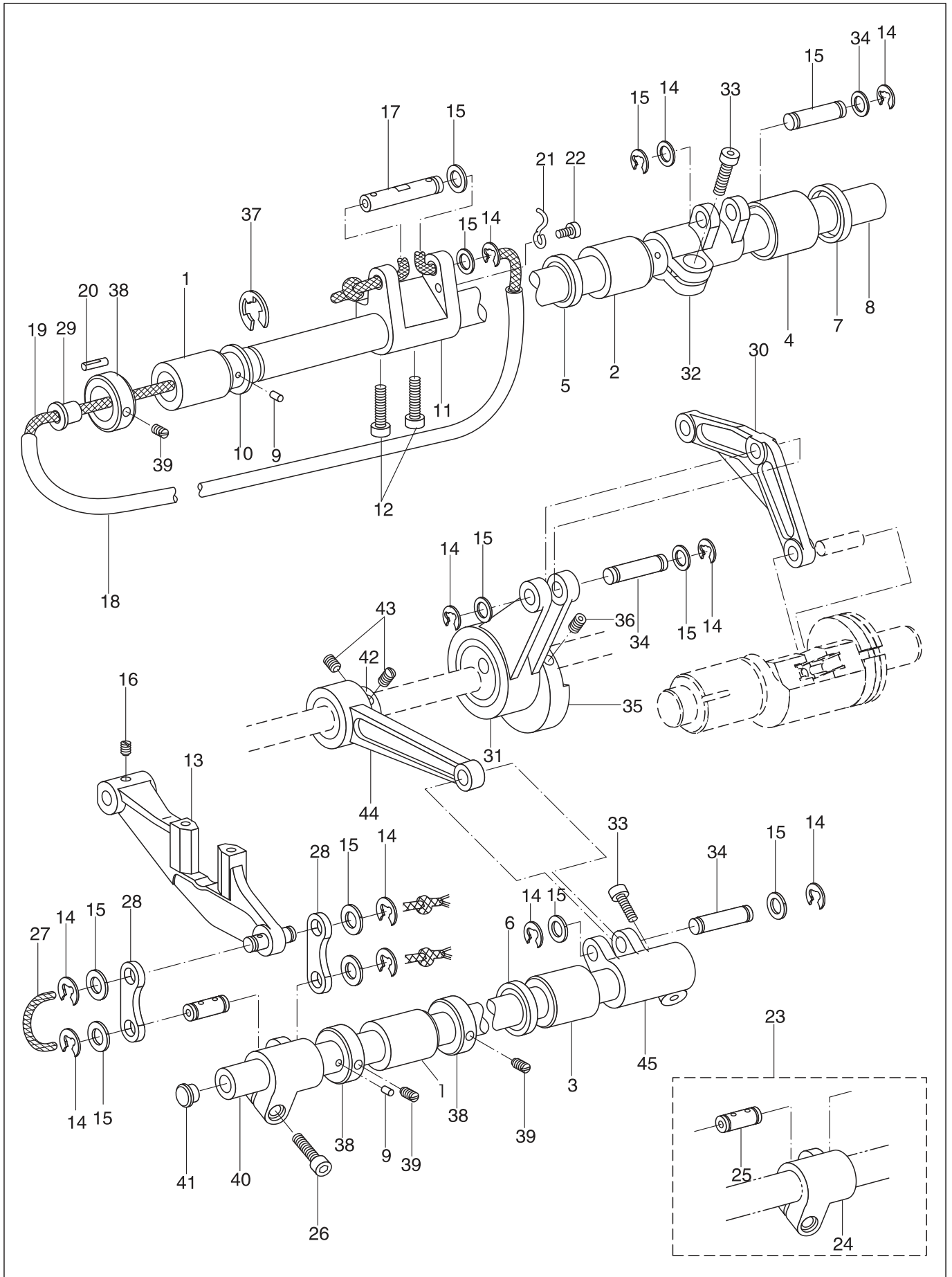
11.Upper feed mechanism



11.Upper feed mechanism

NO.	PARTS NO.	PARTS NAME	QTY		REMARK
			999	999-D2T3	
1	93WF5-007	Bushing, F	1	1	
2	93WF11-001	Bushing, B	1	1	
3	93WF8-023	Collar	2	2	
4	93WF7-029	Set screw	2	2	
5	93WF11-002	Sponge	1	1	
6	93WF11-008	Shaft assy	1	1	
7	93WF8-031	Bolt	1	1	
8	93WF11-003	Rubber cap	1	1	
9	93WF11-009	connecting pin	1	1	
10		Oil wick	1	1	235mm
11	93WF11-010	Tube guide	1	1	
12	93WF11-011	Bolt	3	3	
13	93WF11-004	Leather	1	1	
14	93WF8-036	Bolt	1	1	
15	93WF11-013	Washer	1	1	
16	93WF11-014	Connection	1	1	
17	93WF11-005	Stopper claw	4	4	
18	93WF11-015	Presser connection plate	1	1	
19	93WF11-016	Presser bar connection	2	2	
20	93WF11-009	Connection pin	3	3	
21		Oil tube	1	1	50mm
22		Oil tube	1	1	75mm
23		Oil wick	1	1	75mm
24		Felt	1	1	20mm
25	93WF3-010	Rubber cap	1	1	
26		Oil wick	1	1	80mm
27		Oil wick	1	1	
28	93WF11-019	Inner presser bar	1	1	
29	93WF11-020	Slide block	1	1	
30	93WF11-021	Slide block	1	1	
31	93WF11-006	Retaining ring	2	2	
32	93WF11-022	Steady plate	1	1	
33	13WF7-015	Screw	2	2	

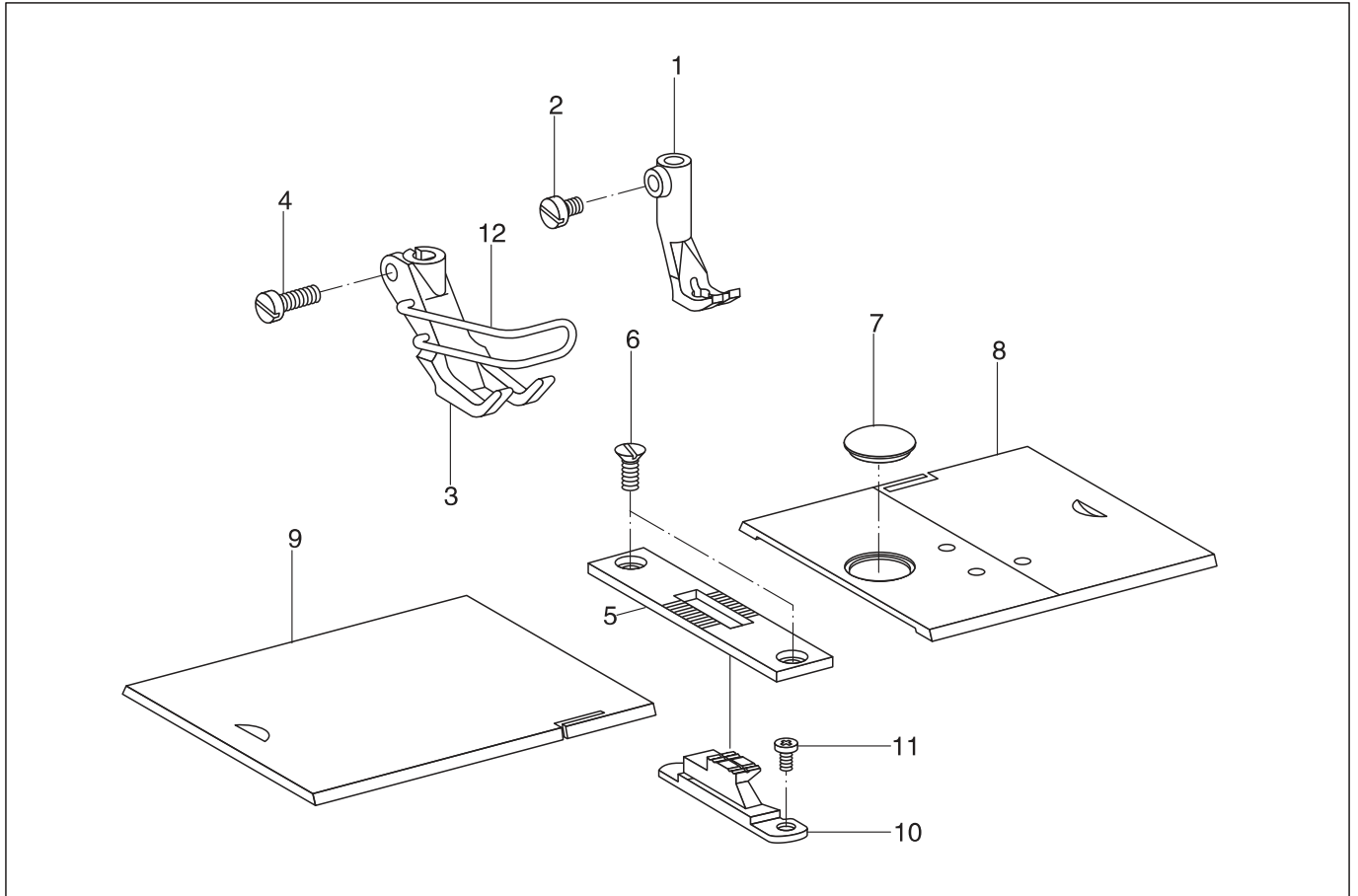
12.Feed shaft mechanism



12.Feed shaft mechanism

NO.	PARTS NO.	PARTS NAME	QTY		REMARK
			999	999-D2T3	
1	93WF5-007	Feed shaft bushing,F	2	2	
2	93WF12-001	Feed shaft bushing,M	1	1	
3	93WF12-002	Bushing, F	1	1	
4	93WF12-003	Feed shaft bushing,B	1	1	
5	93WF12-008	Oil seal	1	1	15×24×7
6	93WF12-008	Oil seal	1	1	15×24×7
7	93WF12-010	Oil seal	1	1	15×24×7
8	93WF12-011	Feed shaft	1	1	
9		felt	2	2	
10	93WF12-004	Ring	1	1	
11	93WF12-012	Feed arm	1	1	
12	93WF10-006	Bolt	2	2	
13	93WF12-013	Feed bracket assy	1	1	
14	266097	Retaining ring	11	11	
15	93WF12-005	Washer	12	12	
16	93WF12-035	Set screw	1	1	
17	93WF12-015	Pin	1	1	
18		Oil tube	1	1	200mm
19		Oil wick	1	1	300mm
20		Felt	1	1	3×18
21	93WF12-006	Tube holder	1	1	
22		Bolt	1	1	GB/T 70.1 M4×6
23	93WF12-016	feed connection arm assy	1	1	
24	93WF12-017A	feed connection arm	1	1	
25	93WF12-018B	Pin	1	1	
26	93WF12-019	bolt	1	1	
27		Oil wick	1	1	110mm
28	93WF12-020	feed link assy	1	1	
29	93WF3-010	Rubber cap	1	1	
30	93WF12-022	Back cylinder connection	1	1	
31	93WF12-023	connection rod assy,L-feed	1	1	
32	93WF12-034	Feed shaft arm	1	1	
33	93WF7-012	Bolt	2	2	
34	93WF12-026	Pin	3	3	
35	93WF12-027	Lower feed cam	1	1	
36	93WF1-027	Set screw	2	2	
37	93WF12-007	Retaining ring	1	1	
38	93WF8-023	Collar,adjust shaft	3	3	
39	93WF7-029	Set screw	3	3	
40	93WF12-029	Adjust-shaft	1	1	
41	93WF11-003	Rubber cap	1	1	
42	93WF12-031	Feed cam	1	1	
43	93WF2-008	Set screw	2	2	
44	93WF12-033	Feed rod	1	1	
45	93WF12-034	Feed shaft arm	1	1	

13. Needle plate, presser foot

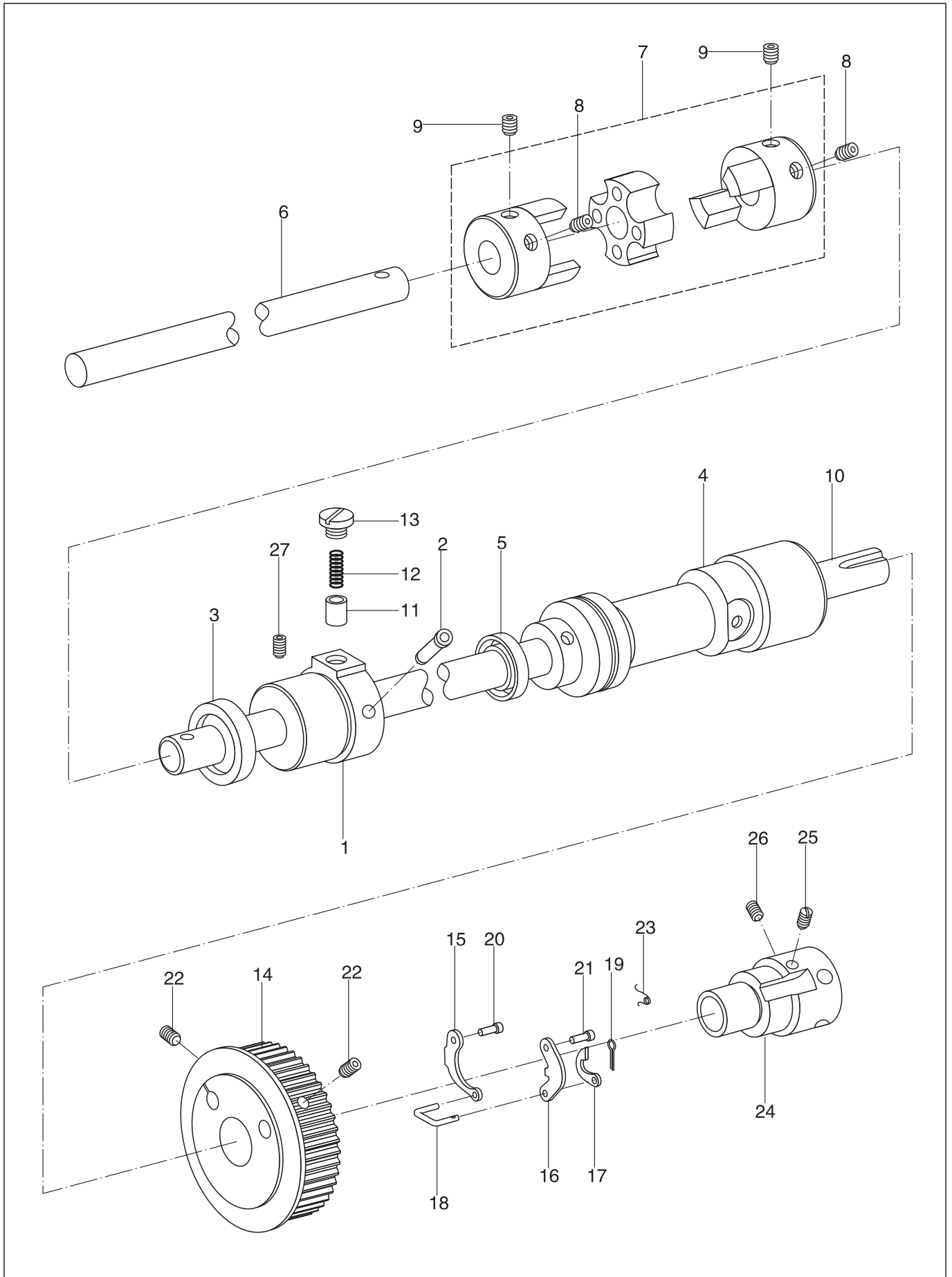


NO.	PARTS NO.	PARTS NAME	QTY		REMARK
			999	999-D2T3	
1	93WF13-003	Inner presser foot	1	1	
2	93WF13-004	Bolt	1	1	
3	93WF13-005	Walking foot assy	1	1	
4	93WF13-006	Bolt	1	1	
5	93WF13-007	Needle plate	1	1	
6	93WF13-001	Sdrew	2	2	
7	21WF4-059	Bobbin window	1	1	
8	351WF13-002	Slide plate, R	1	1	
9	93WF13-009	Slide plate, L	1	1	
10	93WF13-010	Feed dog	1	1	
11	351WF13-001	Screw	2	2	
12	93WF13-011	Finger guard	1	1	

14. Rotary hook shaft timing mechanism

NO.	PARTS NO.	PARTS NAME	QTY		REMARK
			999	999-D2T3	
1	351WF14-006	Horizontal hook base	1	1	
2	93WF14-013	Bushing	1	1	
3	93WF14-001	drain pipe	1	1	
4	93WF3-001	Pipe	1	1	
5	93WF14-014	Ball bearing	2	2	16002 15×32×8
6	93WF14-015	Oil seal	2	2	15×21×3
7		Retaining ring	1	1	GB893. 1 26
8	93WF14-017	Ball bearing	3	3	6000 10×26×8
9	193WF14-047	Bearing	1	1	2080900 10X22X6
10	351WF14-005	Pin	1	1	
11		Oil tube	1	1	L=35
12		Oil wick	1	1	L=40
13	93WF14-020	Shaft,rotary hook	1	1	
14	93WF14-002	gear,OP-shaft	1	1	
15	93WF7-029	Set screw	4	4	
16	93WF14-003	gear	1	1	
17	93WF14-021	Oil pan,hook shaft	1	1	
18	496512	Screw	2	2	
19	93WF14-047	Bushing	1	1	
20	93WF14-023	Washer	1	1	
21	93WF14-046	Lower shaft holder	1	1	
22	93WF14-005	O ring	1	1	
23		Set screw	3	3	GB/T 77 M4×5
24		Screw	3	3	GBT/68 M4×6
25	93WF14-025	collar	1	1	
26	93WF3-005	Bolt	1	1	
27	93WF14-026	Opener shaft	1	1	
28		Oil wick	1	1	L=80
29	93WF14-006	Rubber cap, 4.2mm	1	1	
30	93WF14-027	Adjusting guide rail	1	1	
31	93WF14-028	Adjusting pin	1	1	
32	93WF14-048	Gear	1	1	
33	33T2-30-A	O ring	1	1	
34	93WF8-015	Set screw	2	2	
35	93WF14-030	Set screw	2	2	
36	93WF14-031	Lubrication shaft	1	1	
37	93WF14-032	Oil tank, hook base	1	1	
38	93WF1-017	Pipe	1	1	
39	93WF8-036	Bolt	1	1	
40	93WF14-033	Bushing	1	1	
41	93WF14-034	Oil seal	1	1	22×32×7
42	93WF14-008	Sheet packing	1	1	
43	351WF14-001	Setting barcket, opener	1	1	
44	93WF14-036	Opener arm	1	1	
45	93WF14-037	Pin	1	1	
46	351WF14-002	Opener	1	1	
47	93WF14-009	Retaining ring, 4mm	1	1	
48	13WF1-015	Screw	2	2	
49	93WF14-040	Washer	1	1	t1=0.3/t2=0.4/t3=0.5/t4=0.2
50	351WF14-004	Rotary hook assy	1	1	
51	351WF14-003	bobbin	1	1	
52	93WF14-043	Bolt	2	2	
53	93WF14-044	Eccentric collar	1	1	
54	93WF14-045	Washer	1	1	
55		Oil wick	1	1	L=50
56	93WF13-006	Bolt	9	9	

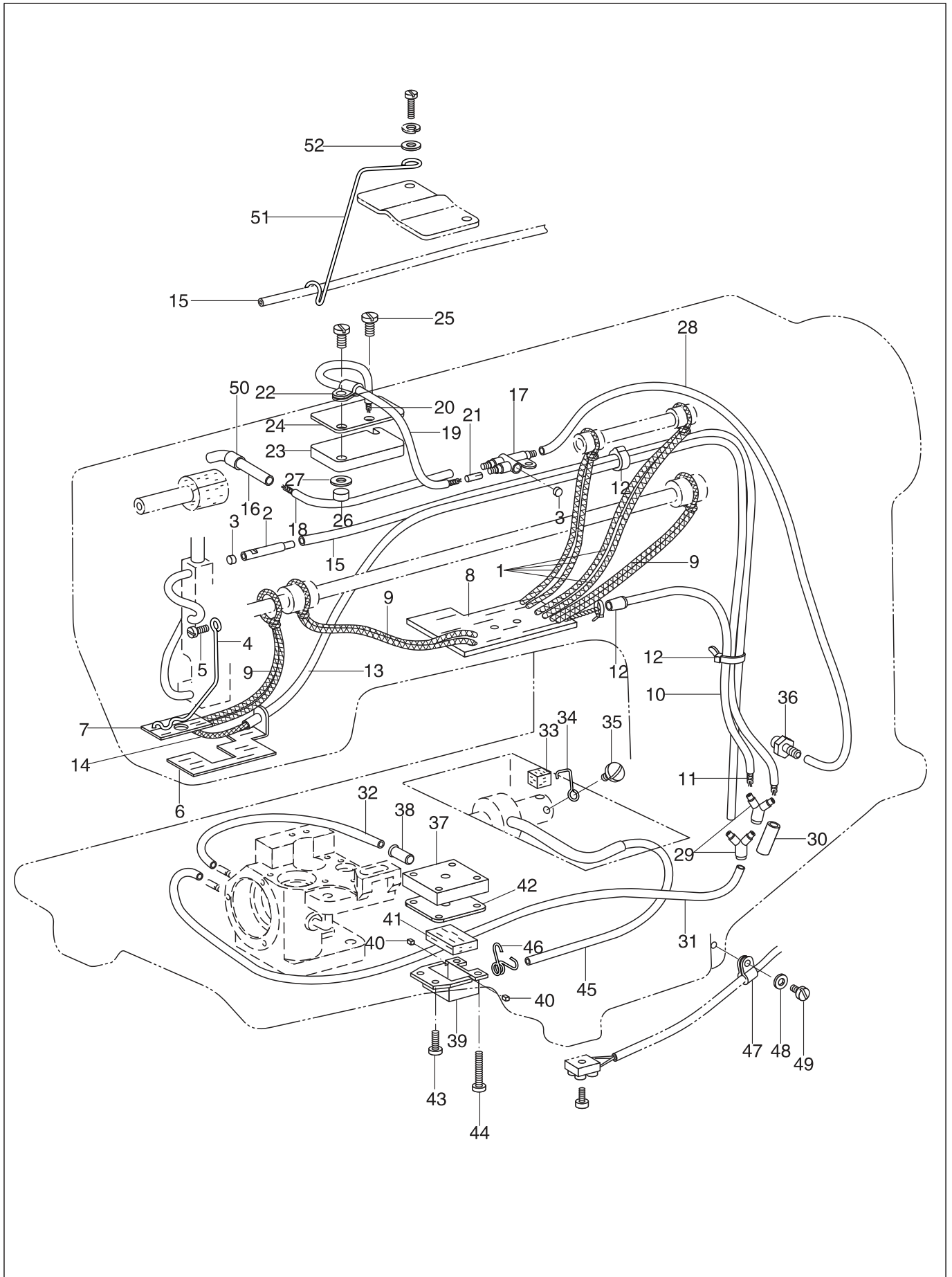
15.Lower shaft mechanism



15.Lower shaft mechanism

NO.	PARTS NO.	PARTS NAME	QTY		REMARK
			999	999-D2T3	
1	93WF15-006	Bushing, F; L-shaft	1	1	
2	93WF3-001	Pipe	2	2	
3	93WF15-007	Oil seal	1	1	12×30×7
4	93WF15-008	Bushing ,B ;L-shaft	1	1	
5	93WF15-009	Oil seal	1	1	12×22×7
6	93WF15-010	Lower shaft	1	1	
7	93WF15-001	Lower shaft coupling assy	1	1	
8	93WF15-011	Screw	2	2	
9	93WF15-012	Screw	2	2	
10	93WF15-013	Lower shaft,B	1	1	
11	93WF15-002	Plunge	1	1	
12	93WF15-003	Spring, compression	1	1	
13	93WF15-004	Screw	1	1	
14	93WF15-005	Belt pulley assy, Lower	1	1	
15	22WF1-013	Spring, lock lever	1	1	
16	22WF1-018	Lock lever	1	1	
17	22WF1-016	rachet	1	1	
18	22WF1-017	Connecting link	1	1	
19		Pin	1	1	GB/T 91 1. 2×8
20	22WF1-015	Lock lever shaft	1	1	
21	22WF1-019	Shaft,spring	1	1	
22	93WF8-015	Set screw	2	2	
23	22WF1-014	Spring	1	1	
24	93WF15-015	Belt shaft	1	1	
25	93WF15-016	Set screw	1	1	
26	93WF15-017	Set screw	1	1	
27	93WF2-015	Set screw	1	1	

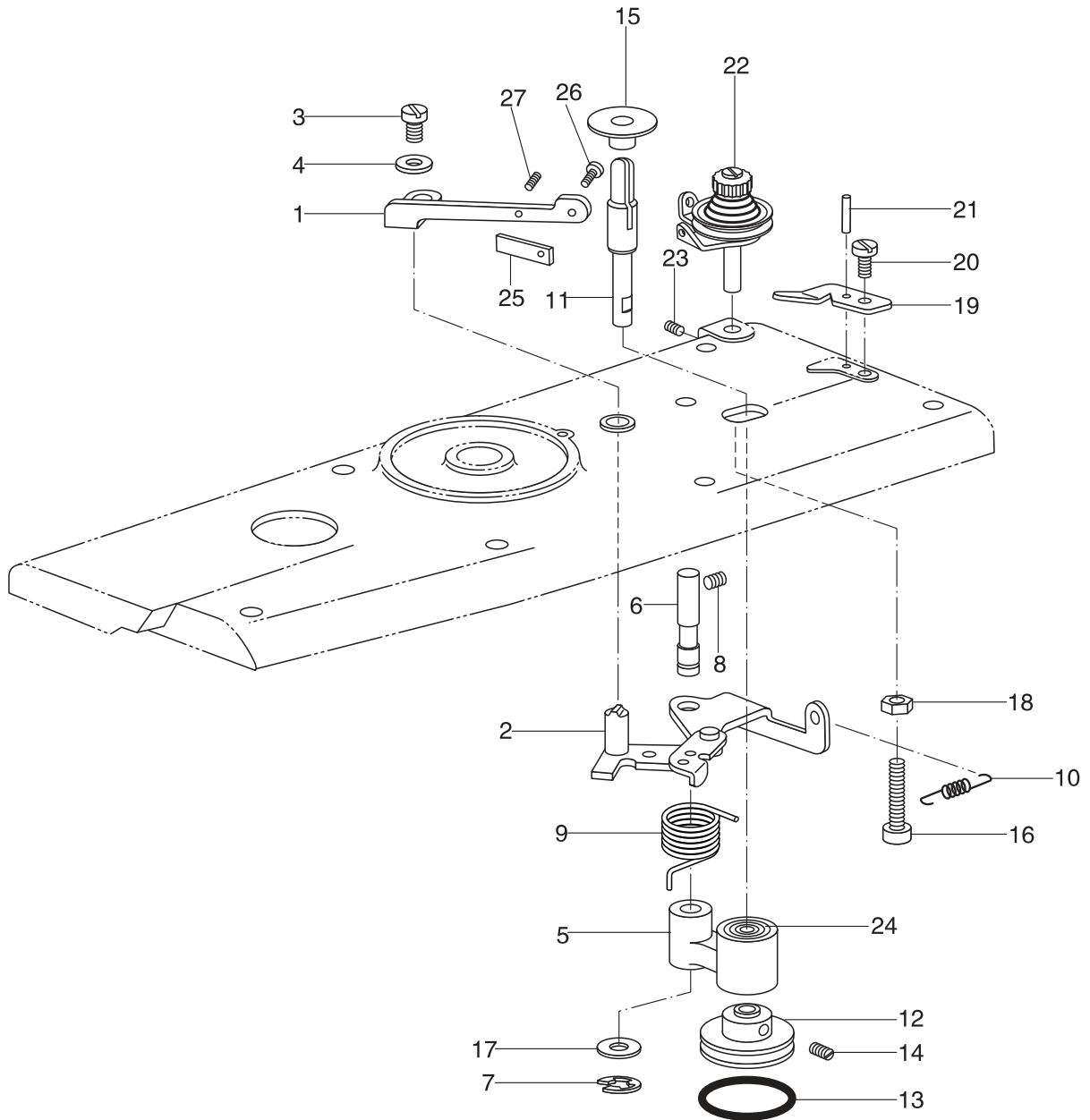
16. Lubrication mechanism



16.Lubrication mechanism

NO.	PARTS NO.	PARTS NAME	QTY		REMARK	
			999	999-D2T3		
1		Oil wick	2	2	400mm	
2	93WF16-018	Oil tube	1	1		
3	93WF14-006	Rubber cap,4.2mm	2	2		
4	93WF16-019	Oil wick support	1	1		
5	93WF8-037	Bolt	1	1		
6	93WF16-001	felt	1	1	400mm	
7	93WF16-002	Felt	1	1		
8	93WF16-003	Felt	1	1		
9		Oil wick	3	3		
10		Oil tube	1	1		
11		Oil wick	1	1		250mm
12		Tube tie	3	3		3X110
13		Oil tube	1	1		490mm
14		Oil wick	1	1		620mm
15		Oil tube	1	1		480mm
16	93WF16-004	Pipe	1	1	185mm	
17	21WF7-016	Joint	1	1		
18		Oil tube	1	1		
19		Oil tube	1	1		
20		Oil wick	1	1		
21		felt	1	1	3X25	
22	93WF16-021	Tube clamp	1	1	380mm	
23	93WF16-005	Felt support	1	1		
24	93WF16-026	Screw	1	1		
25	13WF7-015	Collar	1	1		
26	93WF16-006	Washer	1	1		
27	375290	Oil tube	1	1	40mm	
28		Y-joint	1	1		
29	93WF16-007	Oil tube	2	2		
30		Oil tube	1	1		
31		Oil tube	1	1	400mm	
32		Oil tube	1	1	190mm	
33	93WF16-008	Sponge	1	1	450mm	
34	93WF16-009	Sponge support	1	1		
35	999055	Screw	1	1		
36	93WF16-010	Oil feed pipe	1	1	5mm	
37	93WF16-024	Plate, filter bracket	1	1		
38	93WF1-017	Pipe	2	2		
39	93WF16-011	Sub-tank	1	1		
40	93WF16-012	rubber cap	2	2		
41	93WF16-013	Felt	1	1	450mm	
42	93WF16-014	Packing	1	1		
43	33T3-007	Screw	3	3		
44	93WF16-015	Screw	2	2		
45		Oil tube	1	1		
46	21WF7-006	Tube clip	1	1	5mm	
47	93WF16-016	Cushion clamp	1	1		
48	93WF1-009	Washer	1	1		
49	33T3-007	Screw	1	1		
50		Oil tube	1	1		
51	93WF16-017	Tube support	1	1	GB/T 97.1 4	
52		Washer	1	1		

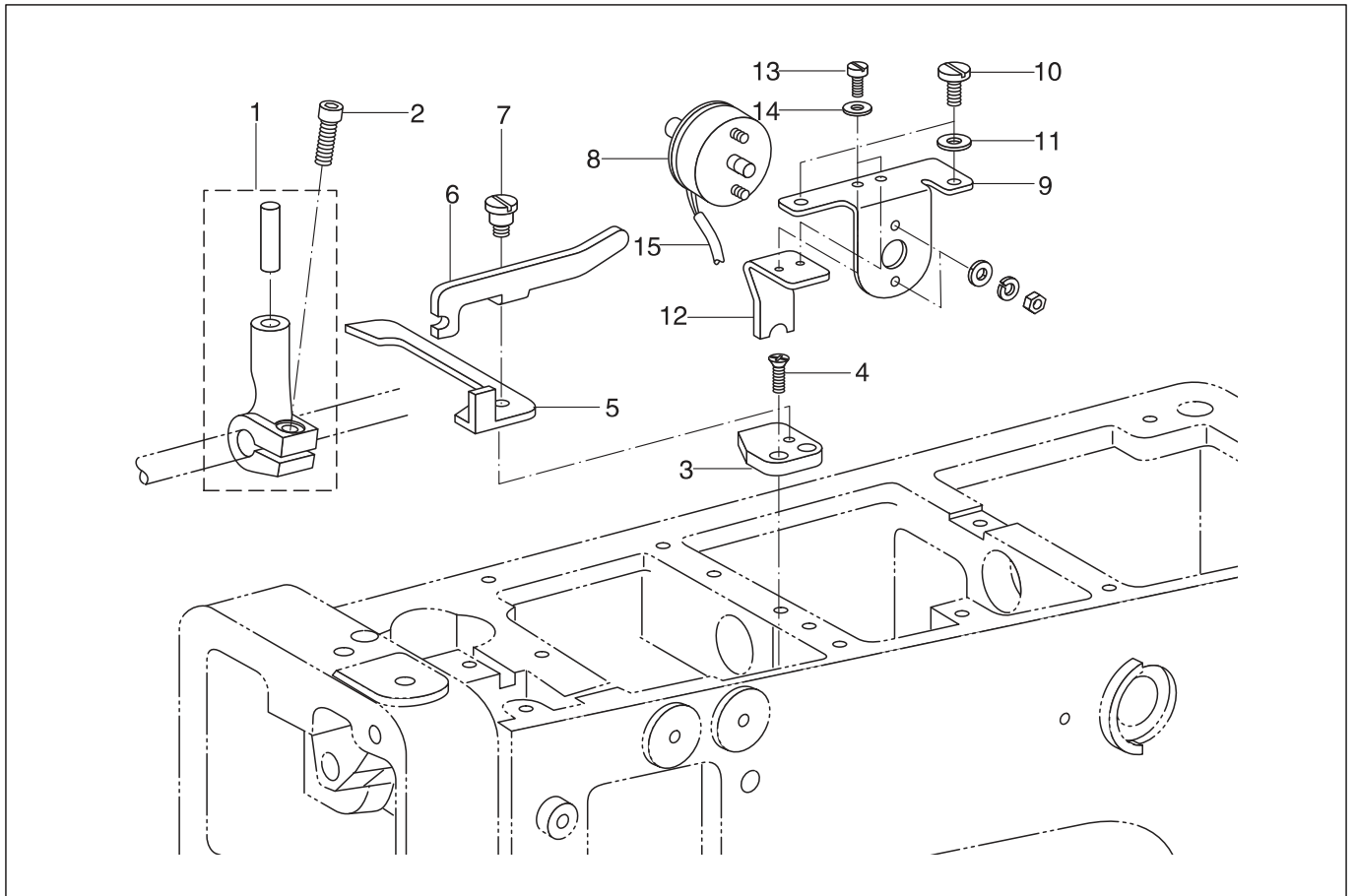
17. Bobbin winder mechanism



17. Bobbin winder mechanism

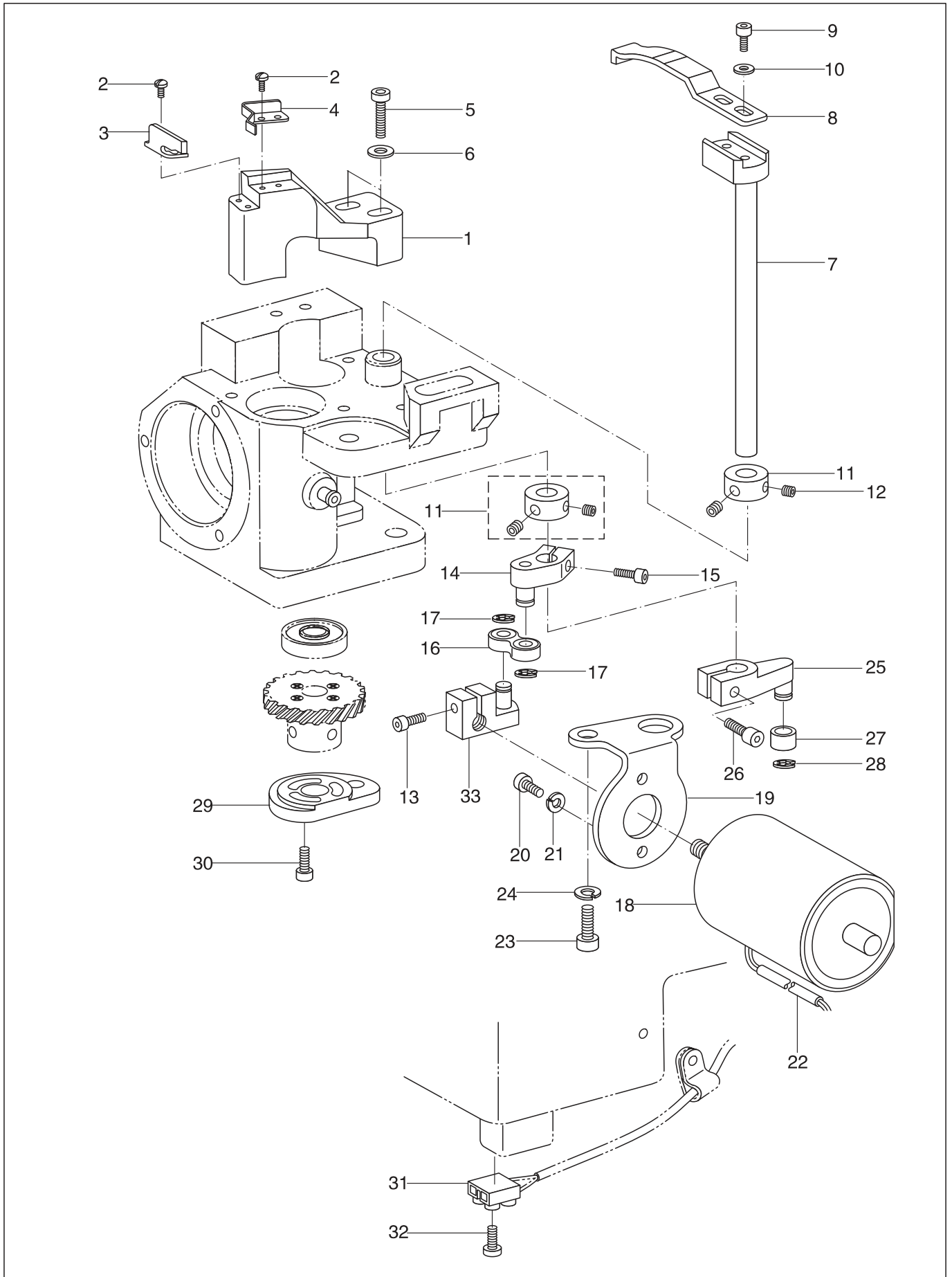
NO.	PARTS NO.	PARTS NAME	QTY		REMARK
			999	999-D2T3	
1	351WF17-001	Bobbin presser	1	1	
2	89WF5-008	bobbin presser shaf tassy	1	1	
	89WF5-008A	Shaft	1	1	
	89WF5-008B	Joint	1	1	
	89WF5-008C	Pin	2	2	
	89WF5-008D	Stopper	1	1	
	89WF5-015	Rubber cover	1	1	
3		Screw	1	1	GB/T 818 M4×8
4		Washer	1	1	GB/T 97.1 4
5	93WF17-002	B-winder shaft bracket assy	1	1	
6	93WF17-011	bobbin winder shaft	1	1	
7	93WF17-003	Retaining ring	1	1	
8	93WF15-012	Set screw	1	1	
9	93WF17-004	Spring	1	1	
10	93WF17-005	Spring	1	1	
11	93WF17-020	Bobbin winder shaft	1	1	
12	93WF17-006	Bobbin winder sheel	1	1	
13	BS25789	Rubber ring	1	1	
14	93WF17-012	Set screw	2	2	
15	93WF17-008	Dust guard plate	1	1	
16	93WF17-013	Bolt	1	1	
17	93WF17-014	Washer	1	1	
18		Nut	1	1	GB/T 41 M5
19	93WF17-009	Knife	1	1	
20	21WF4-047	Screw	1	1	
21		Pin	1	1	GB/T 879.1 2×4
22	93WF17-017	Bobbin winder tension assy	1	1	
23		Set screw	1	1	GB/T 77 M4×5
24		Bearing	2	2	625-2Z5×16×5
25	88WF8-037	Spring plate	1	1	
26	88WF8-036	Screw	1	1	
27		Screw	1	1	GB/T70.1 M3X8

18. Tension release mechanism



NO.	PARTS NO.	PARTS NAME	QTY		REMARK
			999	999-D2T3	
1	93WF18-003	Thread float lever assy	1	1	
2	93WF7-010	Bolt	2	2	
3	93WF18-005	Lever setting plate	1	1	
4		Screw	1	1	GB/T 68 M4×12
5	93WF18-007	Thread float lever	1	1	
6	93WF18-008	thread float plate	1	1	
7	93WF18-001	Shoulder screw	1	1	
8	93WF18-012	Tension release solenoid	1	1	SMT3418SL
9	93WF18-009	Setting plate solenoid	1	1	
10	13WF2-040	Screw	2	2	
11		Washer	2	2	GB/T 97.1 4
12	93WF18-002	Bracket ,solenoid	1	1	
13	93WF1-024	Bolt	2	2	
14		Washer spring	2	2	GB859 4
15	117WF18-001	Wire	1	1	1000mm

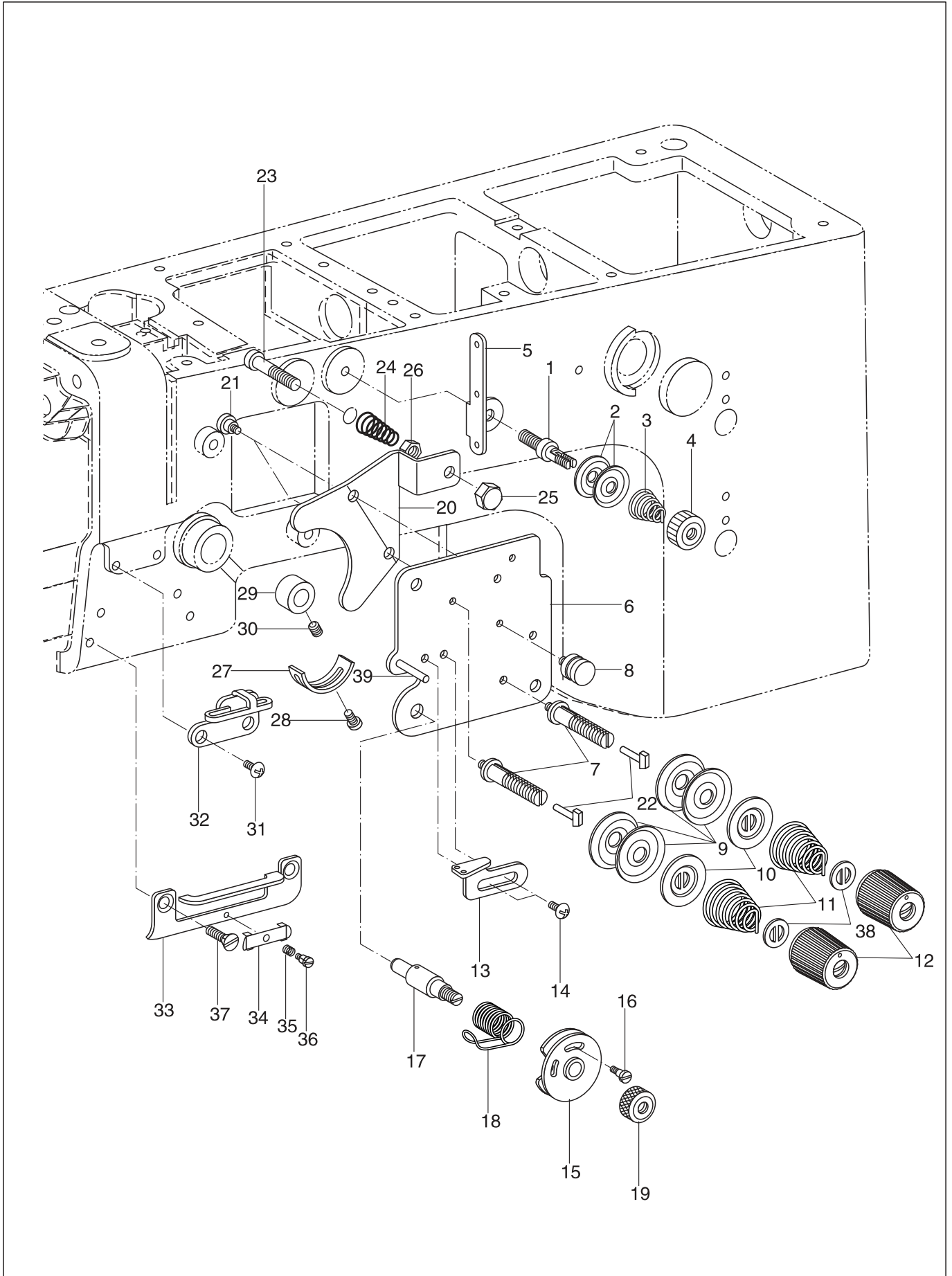
19.Thread trimmer mechanism



19.Thread trimmer mechanism

NO.	PARTS NO.	PARTS NAME	QTY	REMARK
			999-D2T3	
1	351WF19-001	Support bracket F-knife	1	
2	93WF19-001	Screw	4	
3	93WF19-002	Fixed knife	1	
4	93WF19-003	Spring thread holding	1	
5	93WF19-008	Bolt	2	
6		Washer	2	GB/T 848 5
7	93WF19-010	Driving knife shaft	1	
8	351WF19-002	Driving knife	1	
9	93WF8-036	Bolt	2	
10		Washer	2	GB/T 97. 1 3
11	93WF19-005	Collar	2	
12	93WF9-002	Set screw	4	
13	93WF13-006	Bolt	3	
14	93WF19-015	Driving knife arm assy	1	
15	93WF8-031	Bolt	4	
16	93WF19-016	Driving knife connection	1	
17		Retaining ring	2	GB896 3
18	93WF19-018	Thread trimmer solenoid	1	SMT-4357SL
19	93WF19-019	Solenoid setting plate	1	
20	93WF13-006	Bolt	2	
21		Washer	2	GB 859 4
22	117WF19-001	Tube	1	
23	93WF6-035	Bolt	1	
24		Washer	1	GB 859 6
25	93WF19-020	Driving knife arm	1	
26	93WF19-021	Bolt	1	
27	93WF19-006	Roller	1	
28	93WF11-006	Retaining ring	1	
29	93WF19-022	Thread trimmer cam	1	
30	93WF8-031	Bolt	3	
31	80WF2-021	Terminal block	1	
32		Screw	1	GB/T 65 M2. 5×16
33	93WF19-023	Driving knife arm assy	1	

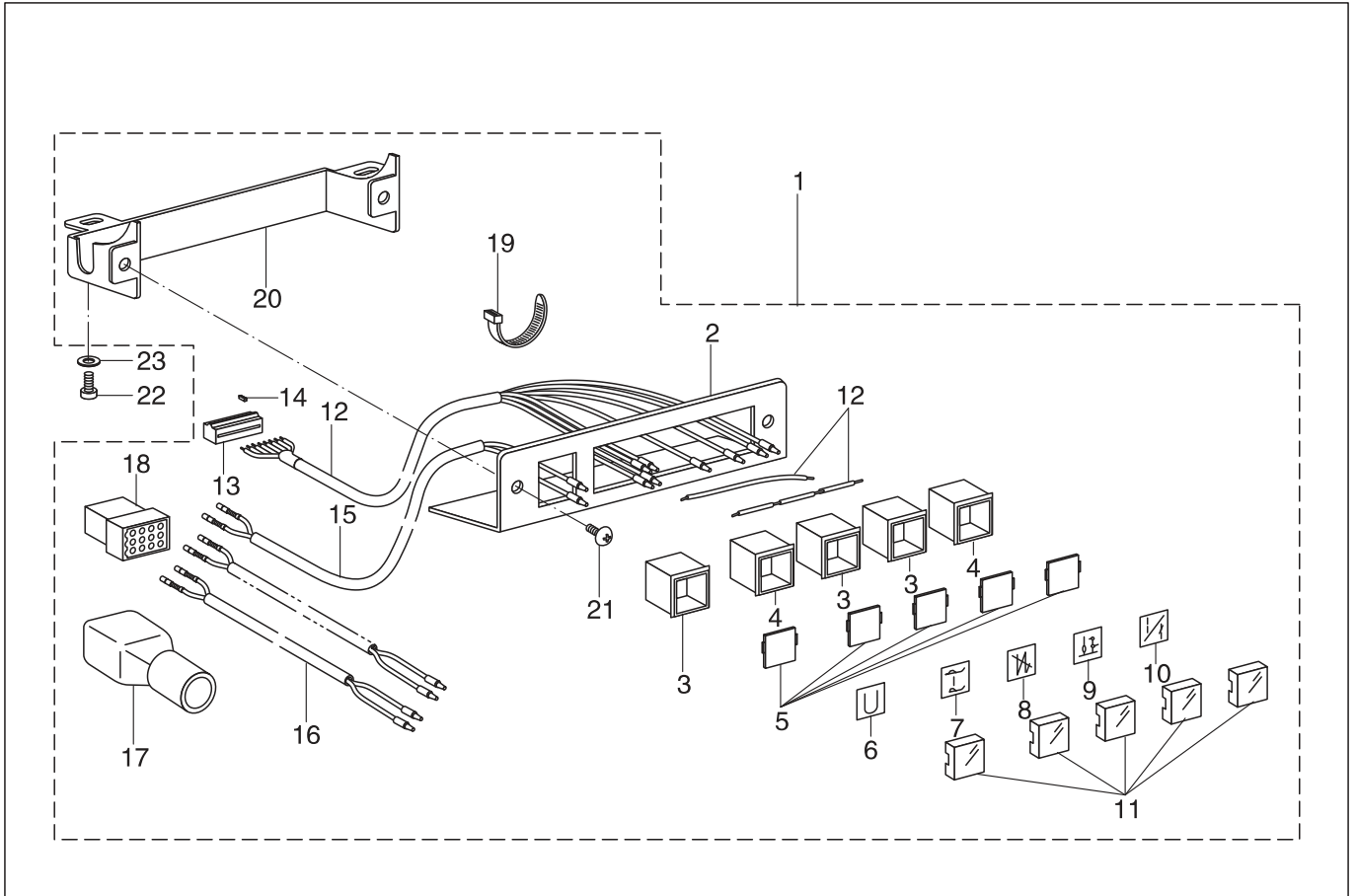
20.Thread tension mechanism



20.Thread tension mechanism

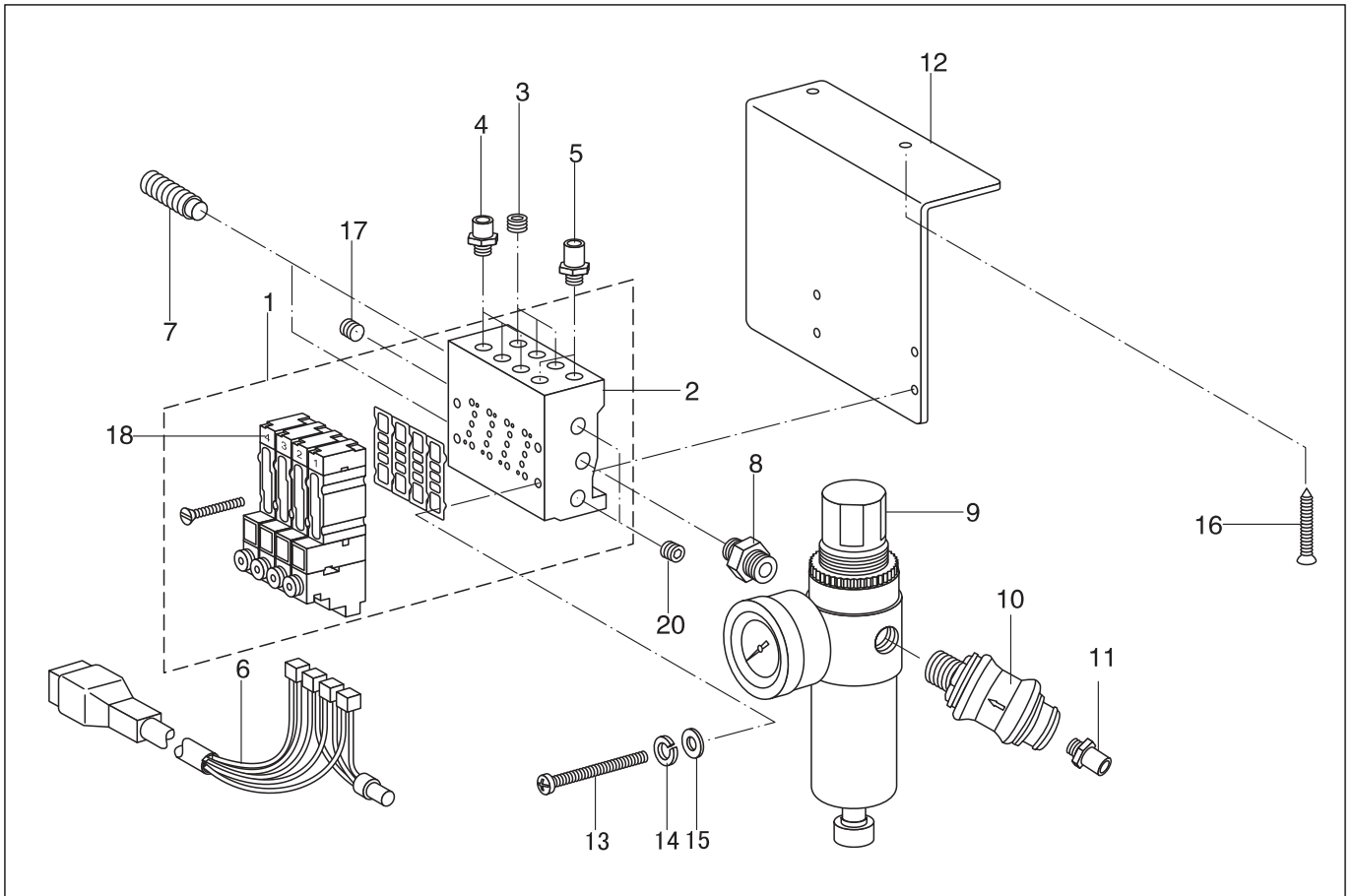
NO.	PARTS NO.	PARTS NAME	QTY		REMARK
			999	999-D2T3	
1	93WF20-006	Tension adjusting stud	1	1	
2	22T1-009E3	Tension disc	2	2	
3	13WF2-009	Tension spring	1	1	
4	36T2-006D4	Nut	1	1	
5	93WF20-007	Thread hook	1	1	
6	93WF20-008	Tension plate assy	1	1	
7	93WF20-009	Tension adjusting stud	2	2	
8	93WF20-010	Thread guide	1	1	
9	22T1-012F5	Tension disc	4	4	
10	22T1-012F4	Disc presser tension	2	2	
11	21WF4-031	Tension spring	2	2	
12	21WF4-030	Tension nut	2	2	
13	93WF20-011	Thread retainer	1	1	
14		Screw	2	2	GB818 M4×5
15	103697	Tension spring guide assy	1	1	
16	9WF1-003C	Screw	1	1	GB/T 818 M4×5
17	037515	Tension adjusting stud	1	1	
18	103692	thread take-up spring	1	1	
19	037537	Tension nut	1	1	
20	93WF20-017	Tension release plate	1	1	
21	21WF4-029	Shoulder screw	2	2	
22	93WF20-018	Shoulder pin ,tension release	2	2	
23	93WF20-019	Pusher pin ,tension release	1	1	
24	93WF20-001	Spring	1	1	
25	93WF20-002	Nut ,cap	1	1	
26		Nut	1	1	GB/T 6170 M4
27	103693	Stopper	1	1	
28	21WF4-015	screw	1	1	
29	93WF20-022	Collar, tension stud	1	1	
30		Set screw	1	1	GB/T 80 M4×5
31	200WF20-002	Screw	3	3	
32	93WF20-003	thread guide	1	1	
33	93WF20-025	thread hook	1	1	
34	93WF20-004	thread clamp	1	1	
35	1WF1-028	Spring ,compression	1	1	
36	93WF20-005	Shoulder screw	1	1	
37		Screw	2	2	GB/T 68 M5×8
38	153209	Stopper	2	2	
39	93WF20-028	Pin ,opener	1	1	

21.Manual switch mechanism



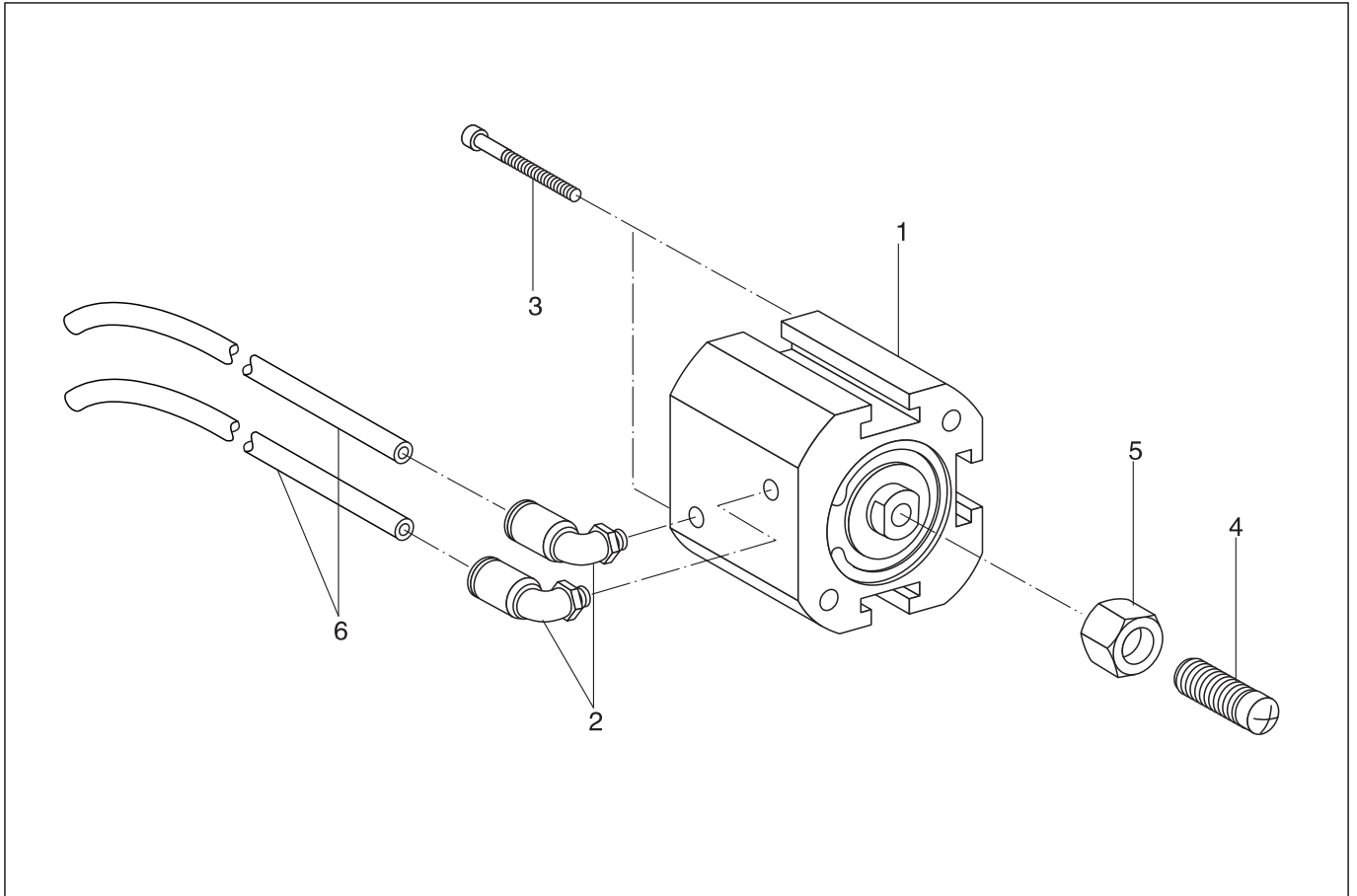
NO.	PARTS NO.	PARTS NAME	QTY	REMARK
			999-D2T3	
1	93WF21-001	Switch assy	1	
2	93WF21-002	Switch cover	1	
3	93WF21-003	Swithc	3	
4	93WF21-004	Switch	2	
5	93WF21-005	Lens	5	
6	93WF21-006	Push button mark	1	
7	93WF21-007	Push button mark	1	
8	93WF21-008	Push button mark	1	
9	93WF21-009	Push button mark	1	
10	93WF21-010	Push button mark	1	
11	93WF21-011	Push button	5	
12	93WF21-012	Harness	1	
13	93WF21-013	connector	1	
14	93WF21-014	Pin	1	
15	93WF21-015	Harness assy	1	
16	93WF21-016	Harness assy	1	
17	93WF21-017	Connector cap	1	
18	93WF21-018	Nylon connector	1	
19		Fastening band	1	
20	93WF21-020	Switch cover plate	1	
21		Screw	2	GB/T 818 M4×5
22		Bolt	2	GB/T 70.1 M4×6
23		Washer	2	GB/T 97.1 4

22. Air presser mechanism



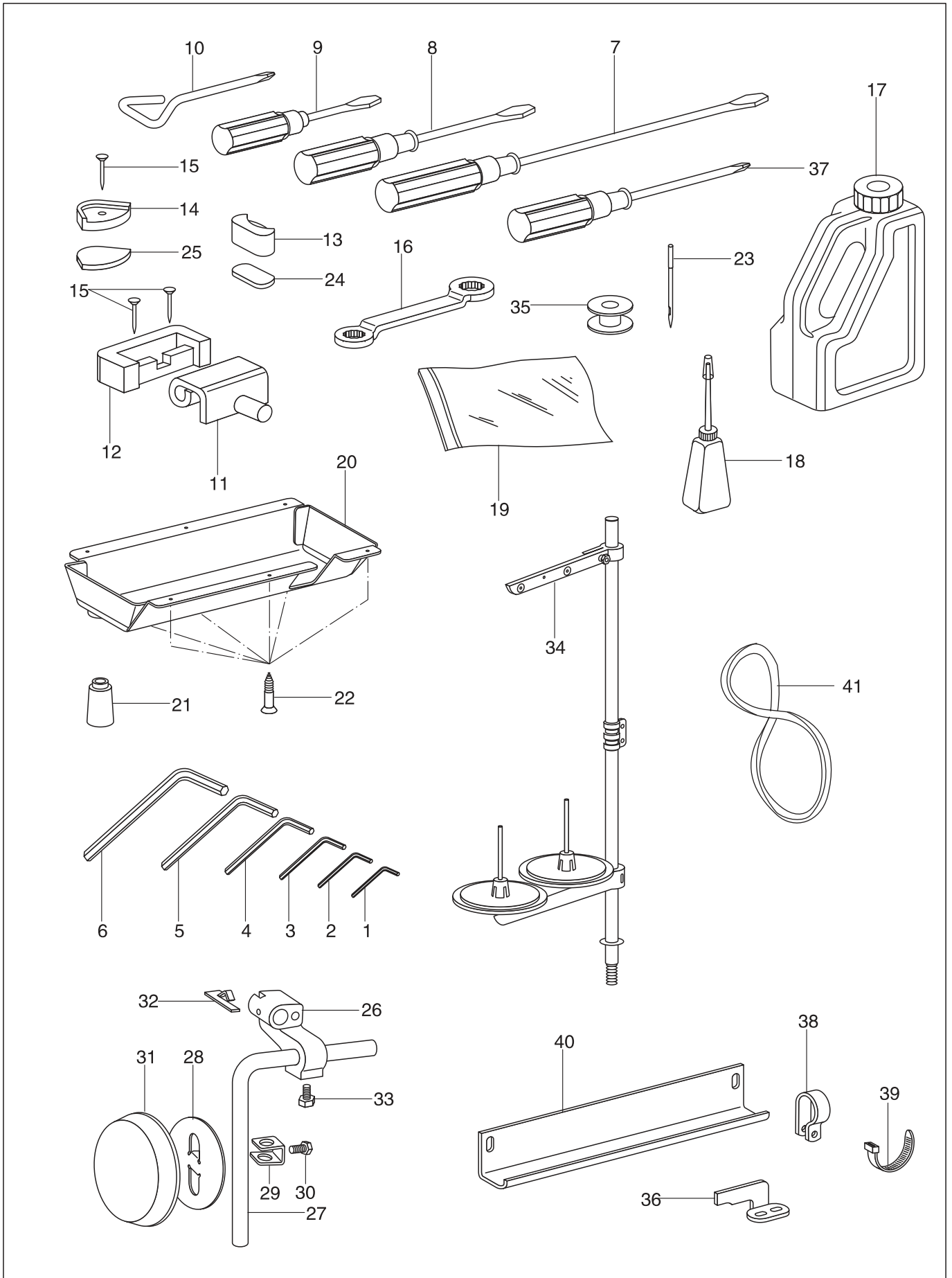
NO.	PARTS NO.	PARTS NAME	QTY	REMARK
			999-D2T3	
1	93WF22-002	Solenoid valve assy	4	4V110-06DC24V
2	93WF22-003	Air manifold	1	100M-4F
3	93WF22-004	Plug	3	G1/4
4	93WF22-005	Joint	3	APC4-01
5	93WF22-006	Joint	2	APC6-01
6	93WF22-007	Connector assy	1	
7	93WF22-008	Silencer	2	PSL-02
8	93WF22-009	Joint	1	1/4-1/4
9	93WF22-010	Integrater	1	AFR2000
10	93WF22-011	Ball valve	1	HSV-08
11	93WF22-012	Joint	1	APC8-02
12	93WF22-001	Setting plate	1	
13		Screw	4	GB/T 818 M4×38
14		Washer ,spring	4	GB/T 859 4
15		Washer	4	GB/T97. 1 4
16		wood screw	2	GB 99 5×20
17	93WF22-015	Plug	3	G1/8
18	117WF22-015	Mark	1	

23.Presser foot actuator mechanism



NO.	PARTS NO.	PARTS NAME	QTY	REMARK
			999-D2T3	
1	93WF23-001	Cylinder	1	SU239 32×20
2	93WF23-002	Joint	2	APL6-01
3		bolt	2	GB/T 70.1 M5×45
4	93WF23-004	Screw	1	
5	93WF23-005	Nut	1	GB/T 6172.1 M8
6		Air tube	2	870mm

24. Accessories



24.Accessories

NO.	PARTS NO.	PARTS NAME	QTY		REMARK
			999	999-D2T3	
1		Hexagonal wrench	1	1	S=1.5
2		Hexagonal wrench	1	1	S=2
3		Hexagonal wrench	1	1	S=2.5
4		Hexagonal wrench	1	1	S=3
5		Hexagonal wrench	1	1	S=4
6		Hexagonal wrench	1	1	S=5
7	33TF-012	Screw driver,L	1	1	
8	33TF-013	Screw driver,M	1	1	
9	33TF-014	Screw driver,S	1	1	
10	93WF24-015	Screw driver,plus	1	1	
11	22T9-007F1	Hinge	2	2	
12	17WF8-011	Rubber cushion	2	2	
13	93WF24-002	Corner support	2	2	
14	93WF24-003	Head cushion	2	2	
15		Nail	6	6	SG162 19mm
16		double wrench	1	1	8×10 GB/T4388-1995
17	22T9-017	Oil tank	1	1	
18	33TF-011	Oiler	1	1	
19	33TF-010	Accessories bag	1	1	
20	93WF24-019	Oil pan	1	1	
21		Poly oiler	1	1	
22		Wood screw	6	6	GB 100 3.5×12
23		Needle	4	4	DP×17 22#
24	93WF24-004	Spacer	2	2	
25	93WF24-005	Spacer	2	2	
26	93WF24-022	Knee lifter bracket	1	1	
27	22T9-003B2	Knee lifter bar	1	1	
28	22T9-003B5	Knee lifter plate	1	1	
29	22T9-003B6	Stopper, k-lifter plate	1	1	
30	22T9-003B6	bolt	1	1	SM11/64"×28/8
31	22T9-003B8	Cover, k-lifter plate	1	1	
32	93WF24-006	Leafspring	1	1	
33		bolt	1	1	GB/T 5781 M8×10
34	33TF-019	Thread stand assy	1	1	
35	351WF14-003	bobbin	4	4	
36	93WF19-002	Fixed knife	/	1	
37	93WF24-025	Screw driver ,hexagonal	1	1	
38	93WF16-016	cushion clamp	/	1	
39		Cable tie	/	1	4×200
40	93WF24-026	Wire cover	/	1	
41		V-belt	1	1	M42

- Please don't adjust and repair the machine by non-professionals,except adjusting stitch.
 - Specifications subject to change without notice
-